

Článok 255 – 2015

Zvláštne predpisy pre cestovné vozidlá

Specific Regulations for Touring Cars

(Skupina A / Group A)

Upravený Článok - Modified Article	Vstupuje do platnosti - Date of application	Dátum vydania - Date of publication

ČI. 1 DEFINÍCIA	DEFINITION																																																																																																																																																																																																																																					
<p>Sériové produkčné cestovné vozidlá vyrábané vo veľkých počtoch.</p>	<p>Large scale series production touring cars.</p>																																																																																																																																																																																																																																					
ČI. 2 HOMOLOGÁCIA	HOMOLOGATION																																																																																																																																																																																																																																					
<p>Musí byť vyrobených najmenej 2500 kusov zhodných vozidiel v priebehu 12 po sebe nasledujúcich mesiacoch. Pokým nie sú zvláštne omedzenia uvedené na homologačnom liste, tak všetky homologácie platné pre Skupinu N platia aj pre Skupinu A.</p> <p>V prípade, že sa vozidlá Skupiny A zúčastňujú rallye, musia ich charakteristiky a rozmery ich častí byť vždy rovné, alebo menšie ako charakteristiky a rozmery dané pre vozidlá Svetovej Rallye (toto sa netýka meniteľnej geometrie turbokompresorov preplňovaných dieselových motorov).</p> <p>Ak sa vozidlo Skupiny A pôvodne nezhodovalo s vyššie uvedeným bodom, musí sa homologáciou typu VO dostať do rozmerovej a charakteristikovej zhody s vozidlami Svetovej Rallye predtým, ako sa zúčastní rallye.</p>	<p>At least 2,500 identical examples of these cars must have been manufactured in 12 consecutive months. Unless restriction specified on the homologation form, all homologations valid for Group N are valid for Group A.</p> <p>In order for a Group A car to take part in rallies, its characteristics and the dimensions of its parts must always be less than or equal to the characteristics and dimensions specified for a World Rally Car (this does not apply to variable geometry turbochargers of supercharged diesel engines).</p> <p>If a Group A car does not originally comply with the above point, it must, by means of a VO type homologation, conform to the dimensions and characteristics specified for a World Rally Car, in order to take part in rallies.</p>																																																																																																																																																																																																																																					
ČI. 3 POČET MIEST NA SEDENIE	NUMBER OF SEATS																																																																																																																																																																																																																																					
<p>Cestovné vozidlá musia mať najmenej štyri miesta na sedenie.</p>	<p>Touring cars must have 4 seats minimum.</p>																																																																																																																																																																																																																																					
ČI. 4 HMOTNOSŤ	WEIGHT																																																																																																																																																																																																																																					
<p>4.1 Vozidlá sú rozdelené podľa minimálnej hmotnosti k ich objemu válcov nasledovne (pre výnimky pozri Článok 4.2) :</p> <p>Pri rallye :</p> <table style="width: 100%; border-collapse: collapse;"> <tr><td>do</td><td>1000 cm³ :</td><td></td><td>720 kg</td></tr> <tr><td>od</td><td>1000 cm³</td><td>do</td><td>1150 cm³ :</td><td>790 kg</td></tr> <tr><td>od</td><td>1400 cm³</td><td>do</td><td>1600 cm³ :</td><td>920 kg</td></tr> <tr><td>od</td><td>1600 cm³</td><td>do</td><td>2000 cm³ :</td><td>1000 kg</td></tr> <tr><td>od</td><td>2000 cm³</td><td>do</td><td>2500 cm³ :</td><td>1080 kg</td></tr> <tr><td>od</td><td>2500 cm³</td><td>do</td><td>3000 cm³ :</td><td>1150 kg</td></tr> <tr><td>od</td><td>3000 cm³</td><td>do</td><td>3500 cm³ :</td><td>1230 kg</td></tr> <tr><td>od</td><td>3500 cm³</td><td>do</td><td>4000 cm³ :</td><td>1310 kg</td></tr> <tr><td>od</td><td>4000 cm³</td><td>do</td><td>4500 cm³ :</td><td>1400 kg</td></tr> <tr><td>od</td><td>4500 cm³</td><td>do</td><td>5000 cm³ :</td><td>1500 kg</td></tr> <tr><td>od</td><td>5000 cm³</td><td>do</td><td>5500 cm³ :</td><td>1590 kg</td></tr> <tr><td>nad</td><td>5500 cm³</td><td></td><td>1680 kg</td></tr> </table> <p>Pre ostatné súťaže :</p> <table style="width: 100%; border-collapse: collapse;"> <tr><td>do</td><td>1000 cm³ :</td><td></td><td>670 kg</td></tr> <tr><td>od</td><td>1000 cm³</td><td>do</td><td>1400 cm³ :</td><td>760 kg</td></tr> <tr><td>od</td><td>1400 cm³</td><td>do</td><td>1600 cm³ :</td><td>850 kg</td></tr> <tr><td>od</td><td>1600 cm³</td><td>do</td><td>2000 cm³ :</td><td>930 kg</td></tr> <tr><td>od</td><td>000 cm³</td><td>do</td><td>2500 cm³ :</td><td>1030 kg</td></tr> <tr><td>od</td><td>2500 cm³</td><td>do</td><td>3000 cm³ :</td><td>1110 kg</td></tr> <tr><td>od</td><td>3000 cm³</td><td>do</td><td>3500 cm³ :</td><td>1200 kg</td></tr> <tr><td>od</td><td>3500 cm³</td><td>do</td><td>4000 cm³ :</td><td>1280 kg</td></tr> <tr><td>od</td><td>4000 cm³</td><td>do</td><td>4500 cm³ :</td><td>1370 kg</td></tr> <tr><td>od</td><td>4500 cm³</td><td>do</td><td>5000 cm³ :</td><td>1470 kg</td></tr> <tr><td>od</td><td>5000 cm³</td><td>do</td><td>5500 cm³ :</td><td>1560 kg</td></tr> </table>	do	1000 cm ³ :		720 kg	od	1000 cm ³	do	1150 cm ³ :	790 kg	od	1400 cm ³	do	1600 cm ³ :	920 kg	od	1600 cm ³	do	2000 cm ³ :	1000 kg	od	2000 cm ³	do	2500 cm ³ :	1080 kg	od	2500 cm ³	do	3000 cm ³ :	1150 kg	od	3000 cm ³	do	3500 cm ³ :	1230 kg	od	3500 cm ³	do	4000 cm ³ :	1310 kg	od	4000 cm ³	do	4500 cm ³ :	1400 kg	od	4500 cm ³	do	5000 cm ³ :	1500 kg	od	5000 cm ³	do	5500 cm ³ :	1590 kg	nad	5500 cm ³		1680 kg	do	1000 cm ³ :		670 kg	od	1000 cm ³	do	1400 cm ³ :	760 kg	od	1400 cm ³	do	1600 cm ³ :	850 kg	od	1600 cm ³	do	2000 cm ³ :	930 kg	od	000 cm ³	do	2500 cm ³ :	1030 kg	od	2500 cm ³	do	3000 cm ³ :	1110 kg	od	3000 cm ³	do	3500 cm ³ :	1200 kg	od	3500 cm ³	do	4000 cm ³ :	1280 kg	od	4000 cm ³	do	4500 cm ³ :	1370 kg	od	4500 cm ³	do	5000 cm ³ :	1470 kg	od	5000 cm ³	do	5500 cm ³ :	1560 kg	<p>Cars are subject to the following scale of minimum weights in relation to their cubic capacity (see Article 4.2 for exception):</p> <p>In rallies:</p> <table style="width: 100%; border-collapse: collapse;"> <tr><td>up to</td><td>1000 cm³:</td><td></td><td>720 kg</td></tr> <tr><td>over</td><td>1000 cm³</td><td>and up to</td><td>1150 cm³:</td><td>790 kg</td></tr> <tr><td>over</td><td>1150 cm³</td><td>and up to</td><td>1400 cm³:</td><td>840 kg</td></tr> <tr><td>over</td><td>1400 cm³</td><td>and up to</td><td>1600 cm³:</td><td>920 kg</td></tr> <tr><td>over</td><td>1600 cm³</td><td>and up to</td><td>2000 cm³:</td><td>1000 kg</td></tr> <tr><td>over</td><td>2000 cm³</td><td>and up to</td><td>2500 cm³:</td><td>1080 kg</td></tr> <tr><td>over</td><td>2500 cm³</td><td>and up to</td><td>3000 cm³:</td><td>1150 kg</td></tr> <tr><td>over</td><td>3000 cm³</td><td>and up to</td><td>3500 cm³:</td><td>1230 kg</td></tr> <tr><td>over</td><td>3500 cm³</td><td>and up to</td><td>4000 cm³:</td><td>1310 kg</td></tr> <tr><td>over</td><td>4000 cm³</td><td>and up to</td><td>4500 cm³:</td><td>1400 kg</td></tr> <tr><td>over</td><td>4500 cm³</td><td>and up to</td><td>5000 cm³:</td><td>1500 kg</td></tr> <tr><td>over</td><td>5000 cm³</td><td>and up to</td><td>5500 cm³:</td><td>1590 kg</td></tr> <tr><td>over</td><td>5500 cm³:</td><td></td><td>1680 kg</td></tr> </table> <p>For other competitions:</p> <table style="width: 100%; border-collapse: collapse;"> <tr><td>up to</td><td>1000 cm³:</td><td></td><td>670 kg</td></tr> <tr><td>over</td><td>1000 cm³</td><td>and up to</td><td>1400 cm³:</td><td>760 kg</td></tr> <tr><td>over</td><td>1400 cm³</td><td>and up to</td><td>1600 cm³:</td><td>850 kg</td></tr> <tr><td>over</td><td>1600 cm³</td><td>and up to</td><td>2000 cm³:</td><td>930 kg</td></tr> <tr><td>over</td><td>2000 cm³</td><td>and up to</td><td>2500 cm³:</td><td>1030 kg</td></tr> <tr><td>over</td><td>2500 cm³</td><td>and up to</td><td>3000 cm³:</td><td>1110 kg</td></tr> <tr><td>over</td><td>3000 cm³</td><td>and up to</td><td>3500 cm³:</td><td>1200 kg</td></tr> <tr><td>over</td><td>3500 cm³</td><td>and up to</td><td>4000 cm³:</td><td>1280 kg</td></tr> <tr><td>over</td><td>4000 cm³</td><td>and up to</td><td>4500 cm³:</td><td>1370 kg</td></tr> <tr><td>over</td><td>4500 cm³</td><td>and up to</td><td>5000 cm³:</td><td>1470 kg</td></tr> <tr><td>over</td><td>5000 cm³</td><td>and up to</td><td>5500 cm³:</td><td>1560 kg</td></tr> </table>	up to	1000 cm ³ :		720 kg	over	1000 cm ³	and up to	1150 cm ³ :	790 kg	over	1150 cm ³	and up to	1400 cm ³ :	840 kg	over	1400 cm ³	and up to	1600 cm ³ :	920 kg	over	1600 cm ³	and up to	2000 cm ³ :	1000 kg	over	2000 cm ³	and up to	2500 cm ³ :	1080 kg	over	2500 cm ³	and up to	3000 cm ³ :	1150 kg	over	3000 cm ³	and up to	3500 cm ³ :	1230 kg	over	3500 cm ³	and up to	4000 cm ³ :	1310 kg	over	4000 cm ³	and up to	4500 cm ³ :	1400 kg	over	4500 cm ³	and up to	5000 cm ³ :	1500 kg	over	5000 cm ³	and up to	5500 cm ³ :	1590 kg	over	5500 cm ³ :		1680 kg	up to	1000 cm ³ :		670 kg	over	1000 cm ³	and up to	1400 cm ³ :	760 kg	over	1400 cm ³	and up to	1600 cm ³ :	850 kg	over	1600 cm ³	and up to	2000 cm ³ :	930 kg	over	2000 cm ³	and up to	2500 cm ³ :	1030 kg	over	2500 cm ³	and up to	3000 cm ³ :	1110 kg	over	3000 cm ³	and up to	3500 cm ³ :	1200 kg	over	3500 cm ³	and up to	4000 cm ³ :	1280 kg	over	4000 cm ³	and up to	4500 cm ³ :	1370 kg	over	4500 cm ³	and up to	5000 cm ³ :	1470 kg	over	5000 cm ³	and up to	5500 cm ³ :	1560 kg
do	1000 cm ³ :		720 kg																																																																																																																																																																																																																																			
od	1000 cm ³	do	1150 cm ³ :	790 kg																																																																																																																																																																																																																																		
od	1400 cm ³	do	1600 cm ³ :	920 kg																																																																																																																																																																																																																																		
od	1600 cm ³	do	2000 cm ³ :	1000 kg																																																																																																																																																																																																																																		
od	2000 cm ³	do	2500 cm ³ :	1080 kg																																																																																																																																																																																																																																		
od	2500 cm ³	do	3000 cm ³ :	1150 kg																																																																																																																																																																																																																																		
od	3000 cm ³	do	3500 cm ³ :	1230 kg																																																																																																																																																																																																																																		
od	3500 cm ³	do	4000 cm ³ :	1310 kg																																																																																																																																																																																																																																		
od	4000 cm ³	do	4500 cm ³ :	1400 kg																																																																																																																																																																																																																																		
od	4500 cm ³	do	5000 cm ³ :	1500 kg																																																																																																																																																																																																																																		
od	5000 cm ³	do	5500 cm ³ :	1590 kg																																																																																																																																																																																																																																		
nad	5500 cm ³		1680 kg																																																																																																																																																																																																																																			
do	1000 cm ³ :		670 kg																																																																																																																																																																																																																																			
od	1000 cm ³	do	1400 cm ³ :	760 kg																																																																																																																																																																																																																																		
od	1400 cm ³	do	1600 cm ³ :	850 kg																																																																																																																																																																																																																																		
od	1600 cm ³	do	2000 cm ³ :	930 kg																																																																																																																																																																																																																																		
od	000 cm ³	do	2500 cm ³ :	1030 kg																																																																																																																																																																																																																																		
od	2500 cm ³	do	3000 cm ³ :	1110 kg																																																																																																																																																																																																																																		
od	3000 cm ³	do	3500 cm ³ :	1200 kg																																																																																																																																																																																																																																		
od	3500 cm ³	do	4000 cm ³ :	1280 kg																																																																																																																																																																																																																																		
od	4000 cm ³	do	4500 cm ³ :	1370 kg																																																																																																																																																																																																																																		
od	4500 cm ³	do	5000 cm ³ :	1470 kg																																																																																																																																																																																																																																		
od	5000 cm ³	do	5500 cm ³ :	1560 kg																																																																																																																																																																																																																																		
up to	1000 cm ³ :		720 kg																																																																																																																																																																																																																																			
over	1000 cm ³	and up to	1150 cm ³ :	790 kg																																																																																																																																																																																																																																		
over	1150 cm ³	and up to	1400 cm ³ :	840 kg																																																																																																																																																																																																																																		
over	1400 cm ³	and up to	1600 cm ³ :	920 kg																																																																																																																																																																																																																																		
over	1600 cm ³	and up to	2000 cm ³ :	1000 kg																																																																																																																																																																																																																																		
over	2000 cm ³	and up to	2500 cm ³ :	1080 kg																																																																																																																																																																																																																																		
over	2500 cm ³	and up to	3000 cm ³ :	1150 kg																																																																																																																																																																																																																																		
over	3000 cm ³	and up to	3500 cm ³ :	1230 kg																																																																																																																																																																																																																																		
over	3500 cm ³	and up to	4000 cm ³ :	1310 kg																																																																																																																																																																																																																																		
over	4000 cm ³	and up to	4500 cm ³ :	1400 kg																																																																																																																																																																																																																																		
over	4500 cm ³	and up to	5000 cm ³ :	1500 kg																																																																																																																																																																																																																																		
over	5000 cm ³	and up to	5500 cm ³ :	1590 kg																																																																																																																																																																																																																																		
over	5500 cm ³ :		1680 kg																																																																																																																																																																																																																																			
up to	1000 cm ³ :		670 kg																																																																																																																																																																																																																																			
over	1000 cm ³	and up to	1400 cm ³ :	760 kg																																																																																																																																																																																																																																		
over	1400 cm ³	and up to	1600 cm ³ :	850 kg																																																																																																																																																																																																																																		
over	1600 cm ³	and up to	2000 cm ³ :	930 kg																																																																																																																																																																																																																																		
over	2000 cm ³	and up to	2500 cm ³ :	1030 kg																																																																																																																																																																																																																																		
over	2500 cm ³	and up to	3000 cm ³ :	1110 kg																																																																																																																																																																																																																																		
over	3000 cm ³	and up to	3500 cm ³ :	1200 kg																																																																																																																																																																																																																																		
over	3500 cm ³	and up to	4000 cm ³ :	1280 kg																																																																																																																																																																																																																																		
over	4000 cm ³	and up to	4500 cm ³ :	1370 kg																																																																																																																																																																																																																																		
over	4500 cm ³	and up to	5000 cm ³ :	1470 kg																																																																																																																																																																																																																																		
over	5000 cm ³	and up to	5500 cm ³ :	1560 kg																																																																																																																																																																																																																																		

	nad 5500 cm ³ 1650 kg	over 5500 cm ³ 1650 kg
4.2	Pri rally pre vozidlá s pohonom 4 kolies, buď s atmosféricky plneným motorom s objemom medzi 1600 až 3000 cm ³ , alebo s prepĺňovaným motorom s restriktorom podľa Článku 5.1.8.3 a s ekvivalentným objemom válcovrovňým, alebo menším ako 3000 cm ³ je minimálna hmotnosť stanovená na 1230 kg.	In rallies, for 4-wheel drive cars with either a naturally aspirated engine with a cylinder capacity of between 1600 and 3000 cm ³ or a turbocharged engine and a restrictor imposed by Article 5.1.8.3 and an equivalent cylinder capacity of less than or equal to 3000 cm ³ , the minimum weight is set at 1230 kg.
4.3	Toto je skutočná hmotnosť vozidla bez jazdca, spolujazdca, ich výbavy a len s jedným rezervným kolesom . Keď je vo vozidle druhé rezervné koleso musí byť toto pred vážením vybraté. Nikdy počas súťaže nesmie vozidlo vážiť menej. V prípade sporu pri vážení, musí byť kompletná výbava jazdca a spolujazdca vybratá, toto zahŕňa aj prilby, ale bez vonkajších sluchadiel, ktoré môžu ostať vo vozidle. V prípade sporu, okrem Rallye, môžu technický komisár, i pri kontrole hmotnosti, vyprázdniť nádrže, ktoré obsahujú kvapaliny, ktoré sa spotrebúvajú. Použitie záťaží je dovolené pri splnení podmienok Článku 252-2.2 "Všeobecných predpisov".	This is the real weight of the car, with neither driver nor co-driver nor their equipment and with a maximum of one spare wheel. When two spare wheels are carried in the car, the second spare wheel must be removed before weighing. At no time during the competition may a car weigh less than this minimum weight. In case of a dispute during weighing, the full equipment of the driver and co-driver must be removed; this includes the helmet, but the headphones external to the helmet may be left in the car. In case of doubt, and except in Rallies, the Scrutineers may drain the tanks containing consumable liquids to check the weight. The use of ballast is permitted in the conditions provided for under Article 252-2.2 of the "General Prescriptions".
4.4	Len pri rallye musí byť minimálna hmotnosť vozidla (pri splnení podmienok Článku 4.3) s posádkou (jazdec+spolujazdec+ výbava jazdca a spolujazdca) rovná : minimálnej hmotnosti podľa Článku 4.1 + 160 kg. Pre vozidlá s pohonom 4 kolies v rallye, či už s motorom s atmosférickým nasávaním a s objemom válcov medzi 1600 až 3000 cm ³ , alebo s prepĺňovaným motorom s restriktorom, v zmysle Článku 5.1.8.3, pri ekvivalentnom objeme válcov menšom, alebo rovnom 3000 cm ³ , musí byť minimálna hmotnosť vozidla (s podmienkami podľa článku 4.3), s posádkou (jazdec+spolujazdec+výbava jazdca a spolujazdca): 1380 Kg. Okrem toho musí byť tiež rešpektovaná aj hmotnosť definovaná v Článkoch 4.1, 4.2 a 4.3.	In rallies only, the minimum weight of the car (under the conditions of Article 4.3) with crew (driver + co-driver + the full equipment of the driver and co-driver) must be: Minimum weight defined by Article 4.1 + 160 kg. For cars with four-wheel drive, in rallies, with either a naturally aspirated engine of a capacity between 1600 and 3000 cm ³ , or turbocharged engine with a restrictor imposed by Article 5.1.8.3 together with an equivalent capacity lower than or equal to 3000 cm ³ , the minimum weight of the car (under the conditions of Article 4.3) with crew (driver + co-driver + the full equipment of the driver and co-driver) must be: 1380 Kg. Furthermore, the weights defined in Articles 4.1, 4.2 and 4.3 must also be respected.
Čl. 5	VŠEOBECNÉ PODMIENKY PRE POVOLENÉ ÚPRAVY A ZMENY	MODIFICATIONS AND ADJUNCTIONS ALLOWED GENERAL CONDITIONS
	Okrem dielov, ktorým tento článok povoľuje ľubovoľné zmeny, pôvodné mechanické diely nutné pre pohon, ako aj všetko príslušenstvo pre ich normálny chod, okrem všetkých dielov riadenia, bŕzd, alebo dielov zavesenia, ktoré prešli opracovaním predpísaným výrobcom pre sériovú produkciu, môžu byť predmetom akýchkoľvek vylepšujúcich operácií, ako finišovanie, obrusovanie, ale nie výmeny. Inými slovami povedané, pod podmienkou, že bude stále jasný pôvod sériovo vyrobeného dielu, môže byť jeho tvar opracovaný brúsením, vyvažovaný, nastavovaný, zmeňovaný, alebo upravovaný obrábaním. Ako dodatočné opracovanie k vyššie uvedeným sa môže aj chemicky a tepelne ošetriť. Úpravy definované vyššie uvedený odsekom sú povolené avšak len pod podmienkou, že hmotnosti a rozmery rešpektujú, tie uvedené v homologačnom liste Matic a skrutky : Po celom aute môžu byť matice a skrutky vymenené za iné matice a skrutky a môžu mať rôzny spôsob zaistenia (podložka, samoistiacia matica a pod.). Doplnenie materiálu dielov : Akékoľvek pridávanie materiálu, alebo dielov je zakázané, pokiaľ to nie je povolené článkom uvedeným v týchto pravidlách . Každý odobratý materiál sa už nesmie znovu použiť. Obnovenie geometrie karosérie a šasi, poškodených nehodou, dodaním materiálu nutného na opravu (karosársky tmel, zvarovací materiál a pod), je dovolené ; ostatné diely , ktoré sú opotrebované, alebo poškodené nehodou, sa nebudú opravovať pridaním, alebo pripojením materiálu, pokiaľ to článok týchto predpisov vhodne neoslobodzuje.	Irrespective of the parts for which the present article lays down freedom of modification, the original mechanical parts necessary for the propulsion as well as all accessories necessary for their normal functioning, excepting any steering, braking, or suspension part, having undergone the normal machining operations laid down by the manufacturer for series production may be subjected to all tuning operations through finishing, scraping but not replacement. In other words provided that the origin of the series production part may always be established, its shape may be ground, balanced, adjusted, reduced or modified through machining. Chemical and heat treatment are allowed, in addition to the above. However, the modifications defined by the above paragraph are allowed on condition that the weights and dimensions mentioned on the homologation form are respected. Nuts and bolts: Throughout the car, any nut, bolt, screw may be replaced by any other nut, any other bolt, any other screw and have any kind of locking device (washer, lock nut, etc.). Addition of material and parts: Any addition of material or parts is forbidden unless it is specifically allowed by an article in these regulations. Any material removed is not to be reused. Restoration of body shape and chassis geometry, following accidental damage, is permissible by the addition of the materials necessary to effect the repairs (body filler, weld metal, etc.) ; other parts which are worn or damaged are not to be repaired by the addition or attaching of material unless an article in these regulations allows appropriate freedom.
5.1	Motor	Engine

5.1.1 Blok motora . hlava válcov

Je dovolené uzatvoriť nepoužívané otvory v hlave válcov a bloku motora, ak je jediným účelom tejto operácie uzatvoriť ich.

Prevrtávanie pôvodného vŕtania o maximálne 0,6 mm je dovolené pokiaľ to nevedie k zvýšeniu objemovej triedy.

Prevložkovanie motora je dovolené za rovnakých podmienok ako prevrtávanie a materiál vložiek sa môže upravovať.

Vložky musia mať kruhový prierez a musia byť sústredné s válcami, suché, alebo mokré a vzdialené od seba.

Zarovnanie bloku motora a hlavy válcov je povolené.

Pri rotačných motoroch pod podmienkou, že pôvodné rozmery vstupných sacích otvorov a výstupov výfukových otvorov sa zachovávajú, môžu byť rozmery sacích a výfukových otvorov do motora ľubovoľné.

5.1.2 Kompresný pomer

Kompresný pomer sa môže upraviť.

Pre prepĺňované motory nesmie v žiadnom okamihu prekročiť 11.5:1.

Ak je vozidlo homologované s vyšším kompresným pomerom, musí byť upravený tak, aby nepresiahol 11.5:1.

5.1.3 Tesnenie pod hlavou válcov

Ľubovoľné.

5.1.4 Piesty

Ľubovoľné, ako aj piestne krúžky, piestne čapy a ich zaistenie.

5.1.5 Ojnice, kľukový hriadeľ

Okrem úprav, povolených vyššie uvedeným odsekom "Všeobecné podmienky" je na ojniciach a kľukovom hriadeľi povolená aj dodatočné mechanická úprava odlišná od tej, vykonanej na sériových produkčných dieloch

5.1.6 Ložiská

Značka a materiál sú ľubovoľné, ale musia dodržať pôvodný typ a rozmery.

5.1.7 Zotrvačník

Môže byť upravený v súlade s vyššie uvedeným odsekom "Všeobecné podmienky" pod podmienkou, že pôvodný zotrvačník bude stále rozpoznateľný

5.1.8 Dodávka paliva a vzduchu

Obrázky I a II (Obrázky III-K1 a III-K2 pre vozidlá homologované po 01.01.2010) v homologačnom liste Skupiny A musia byť dodržané.

Tiahlo akcelérátora a doraz jeho púzdra sú ľubovoľné.

Vzduchový filter a jeho púzdro sú ľubovoľné.

Pre motory s atmosférickým nasávaním je pretlaková komora ľubovoľná, ale musí zostať v motorovom priestore.

Vzduchový filter aj s púzdrom môže byť odstránený, premiestnený do motorového priestoru, alebo nahradený iným (pozri Obr. 255-1).

Len pre rallye je možné odrezať časť priečky v motorovom priestore za účelom uchytenia jedného, alebo viacerých vzduchových filtrov, alebo vstupov vzduchu; tieto prierezy však musia byť výhradne obmedzené pre tie diely, ktoré sú nutné pre túto montáž (pozri Obr. 255-6).

Cylinder-block - Cylinder-head

It is permitted to close the unused apertures in the cylinder block and cylinder head, if the only purpose of this operation is that of closing.

A rebore of 0.6 mm maximum is allowed in relation to the original bore without this leading to the capacity class limit being exceeded.

The resleeving of the engine is allowed within the same conditions as for reboring, and the sleeve material may be modified.

The sleeves must have a circular internal section and be concentric with the cylinders, dry or wet and distinct from one another.

Planing of the cylinder-block and of the cylinder head is allowed.

In the case of rotary engines, on condition that the original dimensions of the intake inlet ports and of the exit of the exhaust are respected, the dimensions of the inlet and exhaust ducts into the engine block are free.

Compression ratio

The compression ratio may be modified.

For turbocharged engines, it must not exceed 11.5:1 at any time.

If the car is homologated with a higher rate, it must be modified so as not to exceed 11.5:1.

Cylinder head gasket

Free.

Pistons

Free as well as the piston-rings, gudgeon pins and their securing mechanism.

Connecting rods, crankshaft

Apart from the modifications permitted by the above paragraph "General Conditions", additional mechanical treatments, different from those carried out on the series production part, are allowed to be made to the crankshaft and the con rods.

Bearings shells

Make and material are free; they must however retain their original type and dimensions.

Flywheel

It may be modified in accordance with the above paragraph "General Conditions" provided that the original flywheel may still be identified.

Fuel and air feed

Drawings I and II (Drawings III-K1 and III-K2 for vehicles homologated as from 01.01.2010) on the Group A homologation form must be respected.

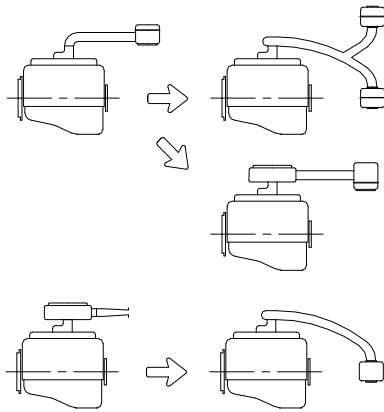
The accelerator cable and its cable sleeve stop are free.

The air filter and the filter box are free.

For a normally aspirated engine, the plenum is free, but it must remain in the engine bay.

The air filter along with its box may be removed, moved in the engine compartment or replaced by another (see Drawing 255-1).

In Rallyes only, it is possible to cut out a part of the bulkhead situated in the engine compartment for the fitting of one or more air filters or for the intake of air; however, such cut-outs must be strictly limited to those parts necessary for this installation (see Drawing 255-6).



255-1

Okrem toho, ak je prívod vzduchu pre vetranie priestoru pre posádku v rovnakej oblasti ako prívod vzduchu k motoru, musí byť táto oblasť, pre prípad požiaru, oddelená od filtra vzduchu.

Potrubie medzi vzduchovým filtrom (filtrami) a karburátorom (karburátormi), alebo meracím zariadením vzduchu (vetrekovaním) je ľubovoľné.

Podobne je ľubovoľné aj potrubie medzi meracím zariadením vzduchu a sacím potrubím, alebo turbom.

Prívod vzduchu môže byť opatrený mriežkou.

Protiprachové filtre sa môžu odstrániť pod podmienkou, že to nepovedie k zväčšeniu objemu privádzaného vzduchu.

Palivové čerpadlá sú ľubovoľné. Nesmú byť umiestnené v priestore pre posádku, pokiaľ to nie je originálne uchytenie. V takom prípade musia byť dobre chránené.

Do palivového obvodu sa môžu dodať palivové filtre s maximálnym jednotkovým objemom 0,5 litra.

Vedenie tiahla akceleračného je ľubovoľné.

Pôvodné výmenníky a medzichladiče, alebo iné zariadenia, ktoré plnia podobnú funkciu, musia ostať zachované a na pôvodnom mieste, čo znamená, že ich držiaky a umiestnenie ostávajú pôvodné.

Potrubie medzi prepŕňovacím zariadením, medzichladičom a sacím potrubím sú ľubovoľné (pod podmienkou, že ostanú v motorovom priestore), ale ich jedinou funkciou je viesť vzduch aspoň k jednotlivým dielom dohromady.

Naviac pri prepŕňovaných motoroch nesmie celkový objem vzduchu medzi restriktorom a klapkou (klapkami) presiahnuť 20 litrov.

V prípade medzichladiča vzduch-voda je potrubie spájajúce medzichladič a jeho chladič ľubovoľné, ale jeho jedinou funkciou musí byť prívod vody.

Akýkoľvek systém rozprašovania vody na medzichladič je zakázaný.

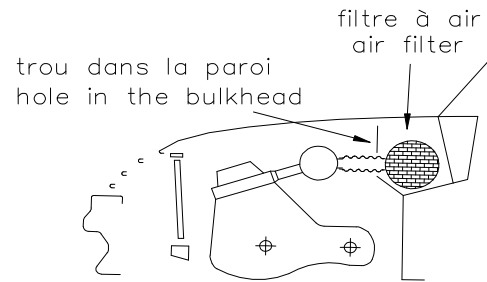
Akýkoľvek systém vstrekovania vody do sacieho potrubia a/alebo medzichladiča je zakázaný.

Vnútrotný priemer vstupov do rotačných komôr rotačných motorov, alebo dvojtaktných motorov je ľubovoľný.

Remenica "G" kompresora je ľubovoľná.

Len pre africké rallye:

Je povolené vytvoriť otvor v kapote motora, s maximálnym priemerom 10 cm, aby sa dal priviesť vzduch do motora a umiestniť do nej potrubie s maximálnym vnútorným priemerom 10 cm (pozri Obr. 255-13).



255-6

Furthermore, if the air intake ventilating the driving compartment is in the same zone as the air intake for the engine, this zone must be isolated from the air filter unit, in case of fire.

The pipe between the air filter and the carburettor(s) or the air-measuring device (injection) is free.

Likewise, the pipe between the air measuring device and the intake manifold or the supercharging device is free.

The air intake may be fitted with a grill.

Anti-pollution parts may be removed provided that this does not lead to an increase in the quantity of air admitted.

Fuel pumps are free. They may not be fitted in the cockpit unless this is an original fitting, in which case they must be well protected.

Petrol filters, with a maximum unit capacity of 0.5 l may be added to the fuel feed circuit.

The accelerator linkage is free.

The original heat exchangers and intercoolers, or any other device fulfilling the same function, must be retained, and remain in their original location, which means that their supports and position must remain original.

The pipes between the supercharging device, the intercooler and the manifold are free (on condition that they remain in the engine bay), but their only function must be to channel air and to join various parts together.

Furthermore, for a turbocharged engine, the total volume between the restrictor and the butterfly (or butterflies) must not exceed 20 litres.

In the case of air-water intercoolers, the pipes connecting the intercooler and its radiator are free, but their only function must be that of channelling water.

Any system for spraying water onto the intercooler is forbidden.

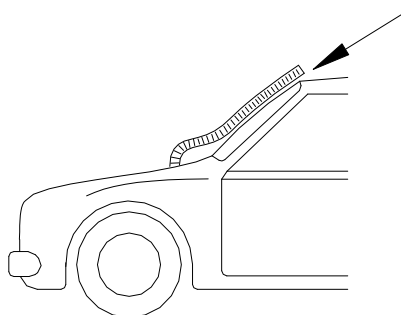
Any system for injecting water into the intake manifold and/or intercooler is forbidden.

The inner dimensions of the ports are free in the rotary chambers for rotary engines and for 2-stroke engines.

The drive pulley of the "G" compressor is free.

For African rallies only:

It is possible to make a hole, with a maximum diameter of 10 cm, in the engine bonnet in order to provide air for the engine, and to place a pipe, with a maximum internal diameter of 10 cm, in this hole (see Drawing 255-13).



255-13

5.1.8.1 Karburátor

Karburátory sú ľubovoľné, ale ich pôvodný počet a ich pracovný spôsob musí zostať zachovaný a musia zostať v pôvodnej polohe. Priemer a počet klapiek musí zostať taký, ako je uvedený na homologačnom liste.

5.1.8.2 Vstrekovanie

Pôvodný systém a jeho typ, aký je uvedený v homologačnom liste vozidla (napr. K – Jetronic), musí zostať zachovaný. Prvky vstrekovacieho zariadenia, ktoré regulujú dávkovanie množstva paliva, dodávaného do motora, sa môžu meniť ale nie priemer otvorenia klapky. Zariadenie na meranie vzduchu je ľubovoľné. Vstrekovače sú ľubovoľné, ale nie ich počet, umiestnenie, os montáže a ich princípu práce. Palivové potrubia, ktoré ich zásobujú sú ľubovoľné. Elektronický blok je ľubovoľný do tej miery, že v sebe nezlučuje viac dát. Regulátor tlaku paliva je ľubovoľný

5.1.8.3 Obmedzenia pre rallye

Počet válcov je obmedzený na 6.
Objem válcov je obmedzený nasledovne :

- a) **Pre motory s atmosférickým plnením**
- 3000 cm³ pri motoroch s dvomi ventilmi na valec.
- 2500 cm³ pri motoroch s viac ako dvomi ventilmi na valec.
Všetky vozidlá s pohonom dvoch kolies s objemom motora väčším ako 1600 cm³, ktoré používajú diely homologované v Kit Variante (VK) musia byť vybavené nasávacím restriktorom podľa ich homologačných listov .
- b) **Preplňované motory**
Nominálny objem válcov je maximálne 2500 cm³.

Preplňovanie musí byť zhodné s tým, ktoré je pre homologovaný motor
Všetky preplňované motory musia byť vybavené restriktorom uchyteným na skrini kompresora.
Všetok vzduch potrebný pre plnenie motora musí prechádzať restriktorom, ktorý musí spĺňať nasledovné podmienky :

Maximálny vnútorný priemer restriktora je 34 mm zachovaný v minimálnej dĺžke 3 mm, meranej po prúde plniaceho vzduchu v rovine kolmej k rotačnej osi, umiestnenej vo vzdialenosti maximálne 50 mm pred rovinou prechádzajúcou cez najvyššie pracovné časti lopatiek kompresora, **táto vzdialenosť sa meria pozdĺž neutrálnej osi sacieho potrubia (pozri Obr.254-4).**

Tento priemer musí byť zachovaný bez ohľadu na teplotné podmienky.

Vonkajší priemer restriktora v jeho najužšom mieste musí byť menší ako 40 mm, a musí byť zachovaný vo vzdialenosti 5 mm na každú stranu.

Montáž restriktora k turbokompresoru musí byť vykonaná tak, aby bolo potrebné úplne vymontovať dve skrutky z telesa kompresora, alebo restriktora, k tomu, aby sa dal restriktor oddeliť od kompresora. Prichytenie ihličkovými skrutkami nie je povolené.

Pri montáži restriktora ku kompresoru je povolené odobrať materiál zo skrine kompresora, alebo ju pridať, s jediným cieľom zaistiť uchytenie restriktora ku skrini kompresora.

Hlavy skrutiek musia byť prevrtané, aby sa dali zaplombovať.

Restriktor musí byť vyrobený z jedného kusu a môže byť prevrtaný jedine za účelom motnáže a plombovania, ktoré sa musí urobiť medzi upevňovacími skrutkami, medzi restriktorom (alebo spojením restriktor/skriňa kompresora), skriňou kompresora (alebo spojením skriňa/príruba) a skriňou dýchadla (alebo skriňa/príruba) (pozri Obr. 254-4).

Carburettor

The carburettors are free, but the original number of carburettors and their working principle must be retained and they must remain in their original location. Furthermore, the diameter and number of the butterflies as stated on the homologation form must be respected.

Injection

The original system and its type, as specified on the homologation form of the vehicle (such as K-Jetronic) must be retained, as must its location. The elements of the injection device regulating the metering of the quantity of fuel admitted to the engine may be modified, but not the diameter of the opening of the butterfly. The air-measuring device is free. The injectors are free, except for their number, their position, their assembly axis and their operating principle. The petrol lines feeding them are free. The electronic box is free, insofar as it does not incorporate more data. The fuel pressure regulator is free.

Limitation in rallies

The number of cylinders is limited to 6.
The cubic capacity is limited as follows :

Normally aspired engines

- 3 l maximum for two valves per cylinder.
- 2.5 l maximum for more than two valves per cylinder.
All 2 wheel-drive cars, with a cylinder capacity greater than 1600 cm³ and using parts homologated in Kit Variant (VK) must be fitted with an intake restrictor according to their homologation forms.

Supercharged engines

The nominal cylinder capacity is limited to 2500 cm³ maximum.
The supercharged system must comply with that of the homologated engine.
All supercharged cars must be fitted with a restrictor fixed to the compressor housing.
All the air necessary for feeding the engine must pass through this restrictor which must respect the following:

The maximum internal diameter of the restrictor is 34 mm, maintained for a minimum distance of 3 mm measured downstream of a plane perpendicular to the rotational axis situated at a maximum of 50 mm upstream of a plane passing through the most upstream extremities of the wheel blades, **this distance being measured along the neutral axis of the intake duct (see Drawing 254-4).**

This diameter must be complied with, regardless of the temperature conditions.

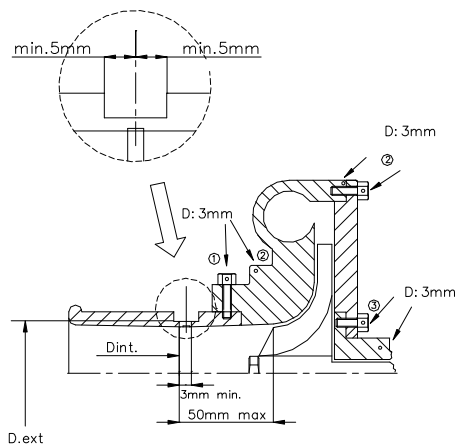
The external diameter of the restrictor at its narrowest point must be less than 40 mm, and must be maintained over a distance of 5 mm to each side.

The mounting of the restrictor onto the turbocharger must be carried out in such a way that two screws have to be entirely removed from the body of the compressor, or from the restrictor, in order to detach the restrictor from the compressor. Attachment by means of a needle screw is not authorised.

For the installation of this restrictor, it is permitted to remove material from the compressor housing, and to add it, for the sole purpose of attaching the restrictor onto the compressor housing.

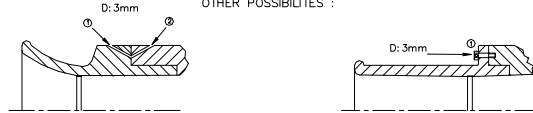
The heads of the screws must be pierced so that they can be sealed.

The restrictor must be made from a single material and may be pierced solely for the purpose of mounting and sealing, which must be carried out between the mounting screws, between the restrictor (or the restrictor/compressor housing attachment), the compressor housing (or the housing/flange attachment) and the turbine housing (or the housing/flange attachment) (see Drawing 254-4).



- ① trou pour bride ou bride/carter de compression
hole for restrictor/compressor housing
- ② trou pour carter de compression ou carter/flasque
hole for compressor housing or housing/flange
- ③ trou pour carter central ou carter/flasque
hole for central housing or housing/flange

AUTRES POSSIBILITES :
OTHER POSSIBILITES :



254-4

Pre vozidlá s dieslovým motorom je maximálny vnútorný priemer restriktora 37 mm a vonkajší priemer je 43 mm, za podmienok uvedených vyššie (tento priemer môže byť kedykoľvek kontrolovaný bez predchádzajúceho upozornenia). V prípade motora s dvomi paralelnými kompresormi musí byť každý obmedzený restriktorom s maximálnym vnútorným priemerom 24,0 mm a vonkajším priemerom maximálne 30 mm, za podmienok uvedených vyššie.

Tento restriktor, ktorý je povinný pri rally nie je pri iných súťažiacom, či ho použije.

For vehicles with Diesel engines, the restrictor must have a maximum internal diameter of 37 mm and an external diameter of 43 mm in the conditions set out above (this diameter may be revised at any moment without notice). In case of an engine with two parallel compressors, each compressor must be limited by a restrictor with a maximum internal diameter of 24.0 mm and a maximum external diameter of 30 mm, in the conditions set out above.

This restrictor, which is compulsory in rallies, is not prohibited in other competitions, should a competitor decide to use it.

5.1.9 Vačkový hriadele (hriadele)

Je ľubovoľný, ale nie ich počet a počet ložísk. Je povolené pridať k ložiskám púzdra ložísk, ale ich šírka nesmie byť väčšia ako šírka pôvodných ložísk.

Časovanie je ľubovoľné.

Materiál, typ a rozmery remení, reťazí a remeňov na pohon vačkového hriadeľa sú ľubovoľné.

Materiál ozubenia a ozubených kolies spriahnutých s vačkovým hriadeľom sú ľubovoľné.

Chod a počet remeňov a reťazí je ľubovoľný.

Vedenie a napínanie týchto reťazí a remeňov je tiež ľubovoľné, ako aj ochranné kryty.

5.1.10 Ventily

Materiál a tvar, ako aj dĺžka drieku ventilu sú ľubovoľné.

Ostatné charakteristické rozmery, spomenuté v homologačnom liste, musia zostať zachované, vrátane zodpovedajúceho uhla osí ventilu.

Zdvih ventilu je ľubovoľný.

Pri rotačných motoroch musí mať otvor v hlave válcov (vnútorná strana motora) taký rozmer, aký je uvedený v homologačnom liste.

Šálky, klinky a vodička (aj keď v pôvodných dieloch nie sú) nepodliehajú žiadnym obmedzeniam.

Pod ventilové pružiny sa môžu pridať podložky.

Materiál sediel je ľubovoľný.

5.1.11 Vahadlá a zdvihátka

Vahadlá sa môžu upravovať len v súlade s Článkom 5 "Všeobecné predpisy" uvedeným vyššie.

Rozmery zdvihátiek, ako aj tvar zdvihátiek a vahadiel sú ľubovoľné, ale vahadlá sa musia dať zameniť za pôvodné.

Pre ich nastavenie sa môžu použiť vymedzovacie podložky.

5.1.12 Zapaľovanie

Zapaľovacia cievka (cievky), rozdeľovač, prerušovač a sviečkysú ľubovoľné podľa zapaľovacieho systému (batériovo-cievkové, magneto), ale ostanú rovnaké, ak dodal výrobca do pôvodného modelu.

Montáž elektronického zapaľovacieho systému, aj bez

Camshaft(s)

Free, except the number and number of bearings.

It is permitted to add sleeve bearings to the bearings but their widths must not be greater than those of the original bearings.

Timing is free.

The material, type and dimensions of the pulleys, chains and belts for driving the camshafts are free.

The material of the gearing and sprockets associated with the camshaft is free.

The route and the number of belts and chains are free.

The guides and tensioners associated with these chains or belts are also free, as are protective covers.

Valves

The material and the shape of the valves are free, as is the length of the valve stem.

The other characteristic dimensions, mentioned on the homologation form, must be retained, including the respective angles of the valves axis.

Valve lift is free.

With regard to the cylinder head orifices (inner side of the engine), in the case of rotary engines, only those dimensions which have been entered on the homologation form have to be respected.

The cups, cotters and guides (even if they do not exist as original parts) are not subject to any restriction.

Shims may be added under the springs.

The material of the seats is free.

Rocker arms and tappets

Rocker arms may only be modified in accordance with Article 5 "General conditions" above.

The diameter of the tappets as well as the shape of the tappets and rocker arms are free, but the rocker arms must be interchangeable with the original ones.

It is possible to use backing plates to adjust them.

Ignition

The ignition coil(s), condenser, distributor, interrupter and plugs are free subject to the ignition system (battery/coil or magneto), remaining the same as provided by the manufacturer for the model concerned.

The fitting of an electronic ignition system, even without a

mechanického prerušovača, je povolená pod podmienkou, že, žiadny mechanický diel, okrem tých vyššie uvedených, nie je upravovaný, alebo vymenený, okrem kľukového hriadeľa, zotrvačnika, alebo remenice kľukového hriadeľa, ktorých obmedzená úprava, na nutné doplnky, je možná. Za rovnakých podmienok je možná výmena výmena elektronického zapalovania za mechanické
Počet sviečok sa nesmie meniť, ale počet cievok áno.

5.1.13 Chladenie

Chladič a jeho upevnenie je ľubovoľný pod podmienkou zachovania pôvodného umiestnenia vo vozidle, potrubie od neho k motoru je ľubovoľné. Clona chladiča môže byť namontovaná

Ventilátor a jeho pohon sa môže ľubovoľne meniť, alebo môže byť odstránený. Je povolená montáž ďalšieho ventilátora

Termostat je ľubovoľný.

Materiál ventilátora / turbíny je ľubovoľný, ako aj ich počet.

Uchytenie záchytnej nádrže na vodu je povolené.

Zátka chladiča môže byť uzamknutá.

Vyrovňavacia nádrž sa môže upraviť a ak pôvodne vo vozidle nebola, môže sa doplniť.

5.1.14 Mazanie

Chladič, výmenník olej / voda, potrubia, termostat, olejová vaňa a sitká čerpadla sú ľubovoľné, bez úpravy karosérie.

Počet sietiek čerpadla je ľubovoľný.

Prevod pohonu a vnútorné diely čerpadla sú ľubovoľné.

Prietok sa môže, vzhľadom k pôvodnému, zvýšiť.

Tlak oleja sa môže zvýšiť výmenou pružiny prepúšťacieho ventilu.

Skriňa čerpadla a jeho kryt, ak existuje, ako aj jeho umiestnenie v olejovej vani musí byť pôvodné, ale vnútro skrine čerpadla a jeho kryt môžu byť opracované.

Je povolená montáž napínania reťaze olejového čerpadla.

Dodatočné potrubie v bloku motora je povolené, tieto potrubia môžu byť využité na rozprašovanie oleja. Tieto potrubia nesmú mať konštrukčnú funkciu. Môžu obsahovať prietokový ventil, len ak sériový blok motora takéto ventily obsahoval (počet a typ ventilov musí byť identifikovateľný s pôvodnými zo sériového motora).

Uchytenie chladiča oleja mimo karosériu vozidla je povolené len pod vodorovnou rovinou prechádzajúcou nábojmi a to takým spôsobom, že tento nepresahuje za obrys vozidla pri pohľade zhora, na štarte, bez úpravy karosérie.

Takéto uchytenie chladiča nepovoľuje dodatočné obalenie konštrukcie aerodynamickými prvkami..

Všetky otvory pre vzduch musia mať jediný účel, priviesť nutný chladiaci vzduch k chladiču a nesmú mať žiadny vplyv na aerodynamiku.

Ak je mazací systém s otvoreným odvetraním vane, musí v takomto prípade olej tiecť do záchytnej nádrže.

Táto musí mať objem 2 litre pre vozidlá s objemom válcov do 2.000 cm³ a 3 litre pri vozidlách s objemom válcov nad 2.000 cm³.

Táto nádoba musí byť z plastu, alebo musí mať priehľadné okienko.

Odlučovač oleja zo vzduchu môže byť namontovaný mimo motor (maximálny objem 1 liter) v súlade s Obr. 255-3.

mechanical interrupter, is allowed provided no mechanical part other than those mentioned here above is modified or changed, with the exception of the crankshaft, the flywheel or the crankshaft pulley, for which modifications limited to the necessary additions is possible.

In the same conditions, it is possible to change an electronic ignition for a mechanical ignition.

The number of plugs may not be modified ; that of the coils is free.

Cooling

Provided the original fitting on the car is retained, the radiator and its fixation are free, as are the lines linking it to the engine. A radiator screen may be fitted.

The fan and its drive system can be changed freely, or be withdrawn. It is allowed to add a fan per function.

Thermostat is free.

Dimensions and material of the fan/turbine are free, as are their number.

The fitting of a water catch tank is allowed.

The radiator cap may be locked.

The expansion chamber may be modified ; if one does not exist originally, one may be added.

Lubrication

Radiator, oil/water exchanger, lines, thermostat, sump and pump strainers are free, without modifying the bodywork.

The number of pump strainers is free.

The driving ratio and the internal parts of the oil pump are free.

The flow rate may be increased relative to the original part.

Oil pressure may be increased by changing the discharge valve spring.

The housing of the oil pump and its cover if any, as well as their position inside the oil sump must be original, but the inside of the housing and its cover if any may be machined.

The fitting of an oil pump chain tensioner is permitted.

The addition of oil lines is allowed inside the engine block, these lines may be used for spraying oil. These oil lines must not have a structural function. They may have a flow control valve only when the series engine block has them (the number and type of valves must be identical to those of the original series engine).

The fitting of an oil radiator outside the bodywork is only allowed below the horizontal plane passing through the hub in such a way that it does not protrude beyond the general perimeter of the car seen from above as it stands on the starting line, without modifying the bodywork.

Fitting an oil radiator in this manner does not allow the addition of an enveloping aerodynamic structure.

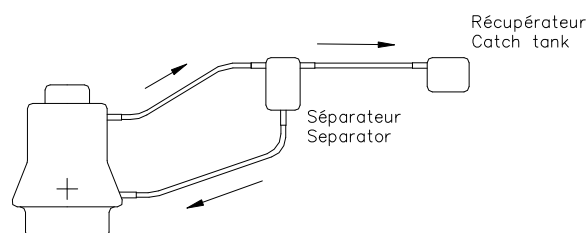
All air openings must have the sole effect of inducing the necessary air for the cooling of the radiator, and must not have any aerodynamic effect.

If the lubrication system includes an open type sump breather, it must be equipped in such a way that the oil flows into a catch tank.

This must have a capacity of 2 litres for cars with a cubic capacity equal to or below 2,000 cm³, and 3 litres for cars with a cubic capacity of over 2,000 cm³.

This container must be made either out of plastic or must include a transparent window.

An air/oil separator can be mounted outside the engine (maximum capacity 1 litre), in accordance with the Drawing 255-3.



255-3

Oil musí zo záchytnej nádrže tiecť do motora len za pomoci gravitácie.

Na chladenie motorového oleja môže byť namontovaný ventilátor, ale nesmie mať vplyv na aerodynamiku.

Mierka oleja

Mierka oleja je ľubovoľná pod podmienkou, že je po celý čas prítomná a nemá inú funkciu. Môže byť zo svojho pôvodného miesta preložená.

Olejový filter

Montáž olejového filtra, alebo patróny v pracovnej polohe je povinná a celý olejový prietok musí prechádzať týmto filtrom, alebo patrónou-

Filter, alebo patróna sú ľubovoľné pod podmienkou, že sú zameniteľné s pôvodným filtrom, alebo patrónou..

5.1.15 Motor : Montáž – sklon a poloha

Úchyty sú ľubovoľné, ale nie ich počet, pod podmienkou, že sklon a poloha motora v jeho priestore nie je upravovaná a sú dodržané Články 5.7.1 a 5-Všeobecných predpisov.

Držiaky môžu byť privarené k motoru a karosérii a ich umiestnenie je ľubovoľné.

5.1.16 Výfuk

Obrázky III a IV (Obrázky III-L1 a III-L2 pre vozidlá homologované po 01.01.2010) homologačného listu Skupiny A musia byť dodržané.

Le dispositif d'échappement est libre en aval de la sortie du Smerom k vyústeniu je výfukové potrubie ľubovoľné pod podmienkou, že maximálna hladina hluku nepresiahne hladinu povolenú pre cestnú premávku v krajine (krajinách) v ktorej sa súťaž koná, ak sa jedná o súťaž na otvorenej ceste. Vyústenie výfuku musí byť v obyse vozidla (pozri Všeobecné predpisy, Článok 252-3.6).

Pri prepĺňovaných motoroch sa môže upraviť výfuk len za turbokompresorom.

Pri rotačných motoroch a pod podmienkou, že sú dodržané pôvodné rozmery vstupných otvorov výfukového potrubia, sú rozmery otvorov potrubia ľubovoľné .

Tepelné clony môžu byť namontované na výfukovom potrubí, turbokompresore a na výfukovom zariadení, ale len ak je ich jedinou funkciou tepelná ochrana

Motory s atmosférickým plnením.

Prietok plynu nesmie byť elektronickým, alebo mechanickým riadením vôbec upravovaný.

Preplňované motory

Tok plynov môže byť upravovaný ovládaním škrtenia regulátora prietoku (waste-gate) a / alebo riadením vstrekovania čerstvého vzduchu do výfukového potrubia.

5.1.17 Hnacie remenice, remene a reťaze pre pomocné zariadenia, umiestnené mimo motora

Materiál, typ a rozmery hnacích remeníc, remeňov a reťazí pre úpon pomocných zariadení sú ľubovoľné.

Chod a počet remeňov a reťazí

5.1.18 Tesnenia

Ľubovoľné.

5.1.19 Motorové pružiny

Pružiny nie sú nijak obmedzené, ale musia mať svoj pôvodný princíp fungovania.

5.1.20 Štartér

Musí byť zachovaný, ale jeho značka a typ sú ľubovoľné.

5.1.21 Preplňovací tlak

Tento tlak môže byť upravený Článkom 5.1.19 a Článkom 5 – Všeobecných predpisov.

Spojenie medzi komorou a regulátorom prietoku môže byť nastaviteľné, pokiaľ to tak nie je pôvodne.

Pôvodný systém ovládaniaregulátora prietoku môže byť upravený a nahradený za nastaviteľný, ale musí ostať zachovaný.

The oil must only flow from the oil catch tank towards the engine by the force of gravity alone.

A fan may be fitted for cooling the engine oil, but must have no aerodynamic effect.

Oil gauge

The oil gauge is free, but must be present at all times and have no other function. It may be moved from its original position.

Oil filter

The fitting of an oil filter, or a cartridge, in working order is mandatory, and the entire oil flow must pass through this filter or cartridge.

The filter or cartridge is free, provided that it is interchangeable with the original filter or cartridge.

Engine: Mountings - Angle and position

Mountings are free (but not their number) provided that the angle and position of the engine within its compartment are not modified, and that Articles 5.7.1 and 5- General Conditions are respected.

Supports may be welded to the engine and to the bodywork and their position is free.

Exhaust

Drawings III and IV (Drawings III-L1 and III-L2 for vehicles homologated as from 01.01.2010) on the Group A homologation form must be respected.

Downstream the exhaust manifold exit the exhaust is free provided that the maximum sound levels permitted in the country(ies) crossed by the competition are not exceeded if it is a competition on open roads.

The exhaust exit must be inside the car's perimeter (see General Prescriptions, Article 252-3.6).

For cars with turbocharged engines the exhaust can only be modified after the turbocharger.

In the case of rotary engines, and on condition that the original dimensions of the inlet ports of the exhaust manifold are respected, the dimensions of the ducts in the manifold are free.

Thermal screens may be fitted on the exhaust manifold, the turbocharger and on the exhaust device, with, however, the sole function of thermal protection.

Normally aspirated engines

The gas flow must never be modified by means of electronic or mechanical controls.

Supercharged engines

The gas flow may only be modified through the operation of the waste-gate and/or the control for injecting fresh air into the exhaust manifold.

Driving pulleys, belts and chains for ancillaries situated outside the engine

The material, type and dimensions of the pulleys, chains and belts for driving the ancillaries are free.

The route and the number of belts and chains are free.

Gaskets

Free.

Engine springs

Springs are not subject to any restrictions but they must keep their original functioning principle.

Starter

It must be retained, but its make and type are free.

Supercharging pressure

This pressure may be modified by Article 5.1.19 and Article 5-General Conditions.

The connection between the housing and the waste-gate may be made adjustable if it is not originally so.

The original system of operation of the waste-gate may be modified and be rendered adjustable but this system must be retained.

	Mechanický systém musí ostať mechanickým a elektrický elektrickým a pod.	A mechanical system must remain mechanical, an electrical system must remain electrical, etc.
5.1.22	Poistná skrutka	Locking screw
	Poistná skrutka sa môže použiť výhradne za účelom prichytiť kryt bloku motora a hlavy válcov. Táto skrutka nesmie za žiadnych okolností slúžiť k uchyteniu iných dielov.	For the sole purpose of fixing a cover on the engine block and on the cylinder head, a locking screw may be used.
		This screw must on no account be used to fix other parts.
5.2	Prevody	Transmission
5.2.1	Spojka	Clutch
	Spojka je ľubovoľná, ale homologovaná skriňa musí ostať zachovaná, spolu s typom ovládania. Nádrže kvapaliny spojky môžu byť umiestnené v priestore pre posádku, ale musia byť bezpečne pripevnené a chránené ohňovzdornými a kvapalinám odolnými krytmi .	Clutch is free, but the homologated bell housing must be retained, together with the operation type. The clutch fluid tanks may be fixed inside the cockpit. In that case, they must be securely fastened and be protected by a liquid and flame proof covering.
5.2.2	Prevodovka	Gearbox
	Prevodovky s variátorom sú zakázané. Dodatočné zariadenie mazania a chladenia mazacieho oleja (obehové čerpadlo, chladič a vstupy vzduchu umiestnené pod vozidlom) je povolené, za rovnakých podmienok ako v Článku 5.1.14 , ale pôvodný spôsob mazania musí ostať zachovaný. Prevodovka homologovaná ako prídavná s čerpadlom, môže však byť použitá bez tohto čerpadla. Môže byť namontovaný ventilátor chladenia prevodového oleja, ale nesmie mať vplyv na aerodynamiku. Vnútro prevodovky je ľubovoľné. Prevodové stupne musia byť homologované v Skupine A. Držiaky prevodovky sú ľubovoľné, ale nie ich počet.. Môžu sa použiť:	Converter gearboxes are forbidden. An additional lubrication and oil cooling device is allowed (circulation pump, radiator, and air intakes situated under the car) in the same conditions as for Article 5.1.14, but the original lubrication principle must be retained.
	- sériová skriňa so sériovými prevodmi, alebo jedna zo súčasných prídavných prevodov ;	However, a gearbox homologated as an additional one with an oil pump can be used without this pump. A fan may be fitted for cooling the gearbox oil, but must have no aerodynamic effect. The interior of the gearbox is free. Gearbox ratios must be homologated in Group A. Gearbox supports are free, but not their number. May be used:
	- jedna z prídavných skriň, ale len z jednou sadou prídavných prevodov.	- the series housing with series ratios or one of the sets of additional ratios ;
		- one of the additional housings only with one of the additional sets of ratios.
5.2.3	Koncový prevod a diferenciál	Final drive and differential
	Je povolené použiť diferenciál s obmedzeným prešmykovaním, ale len ak sa dá namontovať do pôvodnej skrine bez akýchkoľvek úprav, alebo niektorý z tých uvedených v odseku Všeobecné predpisy. Pôvodný diferenciál sa môže tiež zablokovať. Pôvodný princíp mazania zadnej nápravy musí ostať zachovaný. Dodatočné zariadenie mazania a chladenia mazacieho oleja (obehové čerpadlo, chladič a vstupy vzduchu umiestnené pod vozidlom) je povolené, za rovnakých podmienok ako v Článku 5.1.14. Chladič oleja a / alebo olejové čerpadlo môžu byť umiestnené v batožinovom priestore (bez úpravy sériovej karosérie), ale od priestoru pre posádku musia byť oddelené ohňovzdornou, kvapalinám odolnou prepážkou. Držiaky diferenciálu sú ľubovoľné. Použitie aktívneho diferenciálu, tzn. akéhokoľvek systému pôsobiaco priamo na nastavenie diferenciálu (počiatočné prepätie, tlak a pod.) je pre všetky vozidlá s pohonom dvoch kolies zakázané. Pre vozidlá s pohonom štyroch kolies musí byť predný a zadný diferenciál a samosvorný systém v súlade nasledujúcimi bodmi :	A limited-slip differential is allowed provided that it can be fitted into the original housing without any modification other than those laid down in the above paragraph "General Conditions". The original differential may also be locked. The original lubricating principle for the rear axle must be retained. However an additional lubricating and oil cooling device is allowed (circulation pump, radiator, and air intakes situated under the car) under the same conditions as for Article 5.1.14. An oil radiator and/or an oil pump may be fitted in the boot (without modifying the series body) but a liquid- and flame-proof bulkhead must separate them from the occupants of the vehicle. The differential supports are free. The use of active differentials, i.e. any system acting directly on the differential adjustments (initial stress, pressure...), is forbidden for all 2-wheel drive cars.
	- sú povolené len mechanické systémy	For cars with four-wheel drive, the front and rear differentials and self-locking systems must be in conformity with the following points:
	- diferenciál musí byť jednostupňový planétový, alebo epicyklický	- Only entirely mechanical systems are allowed
	- samosvorný systém musí byť lamelový, alebo nájazdový	- The differential must be of the planetary or epicyclic single stage type
		- The self-locking system must be of the type with plates and ramps
	Žiadny parameter predného a zadného diferenciálu sa nesmie dať nastaviť bez náradia a za chodu vozidla, len keď stojí.	None of the parameters of the front and rear differentials can be modified except with the help of tools when the car is stopped.
5.2.4	Prevodové hriadele	Transmission shafts
	Priečne hriadele z titánových zliatin sú zakázané. Pozdĺžne hriadele z titánových zliatin sú zakázané , okrem výnimočných prípadov preverených Technickou Pracovnou Skupinou Rallye.	Titanium alloy transverse shafts are forbidden. Titanium alloy longitudinal shafts are forbidden, save in exceptional cases examined by the Rally Technical Working Group.
5.3	Zavesenie	Suspension
	Umiestnenie otočných osí montážnych bodov horného	The position of the rotational axes of the mounting points of

zavesenia kola a na karosérii (alebo šasi) sa nesmie meniť.

Pri olejovo-pneumatickom zavesení sú potrubia a ventily pripojenia na gule (pneumatické diely) ľubovoľné.

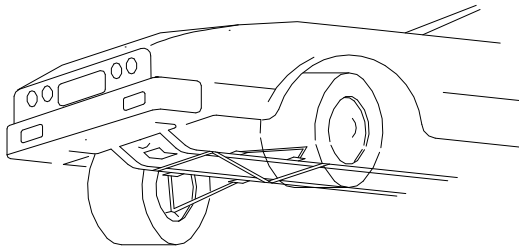
5.3.1 Vystužovacie tyče

Vystužovacie tyče sa môžu namontovať na montážne body zavesenia nápravy na karosérii, alebo šasi na každej strane vozidla v pozdĺžnej osi.

Vzdialenosť medzi montážnym bodom zavesenia a vystužovacej tyče nesmie byť väčšia ako 100 mm, pokiaľ je tyč priečnou konštrukciou homologovanou s bezpečnostnou klietkou, alebo pokiaľ to je horná tyč uchytená k zaveseniu typu McPherson, alebo podobnému.

V tom druhom prípade musí byť maximálna vzdialenosť medzi kotviacim bodom tyče a horným otočným bodom 150 mm (Obrázky 255-2 a 255-4).

Okrem týchto bodov nesmie byť tyč namontovaná na karosériu, alebo mechanické diely.



255-2

5.3.2 Zosilnenie

Zosilnenie montážnych bodov a podvozku pridaním materiálu je povolené, ale spojenie dvoch oddelených dielov do jedného kusu je zakázané.

5.3.3 Stabilizátory

Stabilizátory homologované výrobcom môžu byť vymenené, alebo odstránené pod podmienkou, že ich montážne body na šasi ostanú nezmenené.

Tieto montážne body sa môžu použiť na montáž zosilňujúcich tyčí.

Sú povolené len systémy s mechanickým ovládaním stabilizátorov.

Nastavenie stabilizátora môže priamo robiť len jazdec, výhradne pri použití mechanického systému, bez použitia vonkajšej sily.

Prepojenie tlmičov je zakázané.

Prepojenie predných a zadných stabilizátorov je zakázané.

Stabilizátory z titánovej zliatiny sú zakázané

5.3.4 Kĺby a montážne body

Materiál kĺbov môže byť odlišný od pôvodného.

Montážne body na karosérii, alebo šasi môžu byť upravené :

- použitím "Uniball" kĺbov ; pôvodné rameno sa môže odrezat' a môže sa privariť nové sedlo "Uniball" . Popri samotnom "Uniball" kĺbe sa použijú vystuženia
- použitím skrutiek s väčším priemerom ;
- spevnením kotviacich bodov pridaním materiálu do vzdialenosti 100 mm od tohto kotviaceho bodu.

Poloha stredu otáčania sa nesmie zmeniť (pozri obr.255-5).

the suspension to the wheel uprights and to the shell (or chassis) must remain unchanged.

In the case of an oil-pneumatic suspension, lines and valves connected to the spheres (pneumatic parts) are free.

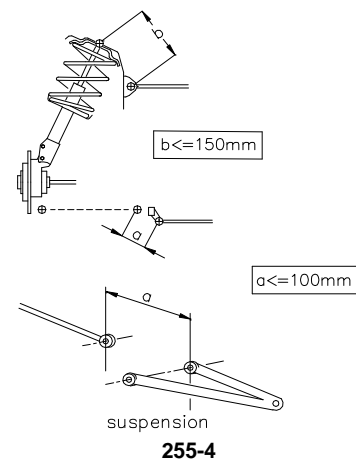
Reinforcement bars

Reinforcement bars may be fitted on the suspension mounting points to the bodyshell or chassis of the same axle, on each side of the car's longitudinal axis.

The distance between a suspension attachment point and an anchorage point of the bar cannot be more than 100 mm, unless the bar is a transverse strut homologated with the safety cage, or unless it is an upper bar attached to a MacPherson suspension or similar.

In the latter case, the maximum distance between an anchorage point of the bar and the upper articulation point must be 150 mm (Drawings 255-2 and 255-4).

Apart from these points, this bar must not be mounted on the bodyshell or the mechanical parts.



255-4

Strengthening

Strengthening of the mounting points and of the running gear, by adjunction of material, is allowed but joining two separate parts together to form one is prohibited.

Anti-roll bar

The anti-roll bars homologated by the manufacturer may be replaced or removed, provided that their mounting points on the chassis remain unchanged.

These anchorage points can be used for the mounting of reinforcement bars.

Only mechanically operated anti-roll bar systems are authorised.

The anti-roll setting can only be adjusted directly by the driver, using an exclusively mechanical system without external power.

Any connection between dampers is forbidden.

Any connections between front and rear anti-roll bars are forbidden.

Titanium alloy anti-roll bars are forbidden.

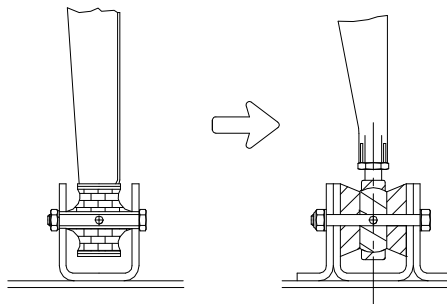
Joints and mounting points

The joints may be of a different material from the original ones.

The suspension mounting points to the bodyshell or chassis may be modified:

- by using a "Uniball" joint. The original arm can be cut and a new seat for the "Uniball" welded. Braces will be used next to the "Uniball" itself.
- by using a screw with a greater diameter;
- by reinforcing the anchorage point through the addition of material within the limit of 100 mm from the anchorage point.

The position of the centre of the articulation cannot be changed (see Drawing 255-5).



255-5

5.3.5 Pružiny

Rozmery pružiny sú ľubovoľné, ale nie typ a materiál (ten musí byť **zliatina železa**).

Sedlá pružín môžu byť nastaviteľné, dokonca s možnosťou pridávania materiálu.

Závitová pružina môže byť nahradená dvomi, alebo viacerými pružinami rovnakého typu sústrednými, alebo v sérii, pod podmienkou, že sa dajú uchytiť bez ďalších úprav okrem tých, uvedených v tomto článku.

Cestovná výška sa môže dať nastaviť len pri stojacom vozidle, pomocou náradia.

5.3.6 Tlmiče

Značka je ľubovoľná, ale nie počet, typ (rameno a pod.), systém fungovania (hydraulické, trecie, zmiešané a pod.) a ani držiaky..

Kontrola princípu činnosti tlmičov sa vykoná nasledovne :

Pri odmontovaní pružín a/alebo torzných tyčí musí vozidlo klesnúť na koncové dorazy za menej ako 5 minút.

Plynové tlmiče sú vzhľadom na ich pracovný proces považované za hydraulické.

V prípade, že je potrebné vymeniť nejaký tlmiaci prvok zavesenia McPherson, alebo zavesenia pracujúceho na rovnakom princípe a je pri tom potrebné nahradiť celú vzperu zavesenia McPherson, nahradzujúci diel musí byť mechanicky zhodný s pôvodným, okrem tlmiaceho prvku a šálky pružiny.

Ak majú tlmiče oddelené nádoby so zásobnou kvapalinou a tieto sú umiestnené v priestore pre posádku, alebo v batožinovom priestore, ktorý nie je oddelený od priestoru pre posádku, musia byť riadne upevnené a chránené.

Obmedzovače zdvihu tlmiča sa môžu dodať.

Je povolený len jeden kábel pre koleso a jeho jediná funkcia je obmedziť pohyb kolesa keď nie je tlmič stlačený.

Akékoľvek servo riadenie aktivujúce silový okruh, pôsobiaci priamo, alebo nepriamo na zavesenie, je zakázané.

Systém umožňujúci nastavenie tlmičov elektronicky je povolený.

Akýkoľvek systém elektronického riadenia tlmičo je zakázaný.

5.3.7 Držiak náboja

Držiak náboja z titánovej zliatiny je zakázaný, okrem výnimočných prípadov, preverených Technickou Pracovnou Skupinou Rallye .

5.4 Kolesá a pneumatiky

Kompletné kolesá sú ľubovoľné pod podmienkou, že sa vmestia ko pôvodnej karosérie, tzn. že horná časť kompletného ložosa umiestnená zvislo nad stredom náboja kolesa musí byť zakrytá karosériou pri meraní zvislo.

Uchytenie kolesaskrutkami môže byť ľubovoľne zmenené na uchytenie šiftami a matkami.

Len pri rallye musia byť ráfiky prichytené minimálne 4 skrutkami, alebo 4 šiftami.

Použitie pneumatík určených pre motocykle je zakázané.

Za žiadnych okolností nesmie šírka zostavy "ráfik / pneumatika", v závislosti od objemu válcov, prekročiť

Springs

The spring dimensions are free but not the type and the material (which must be **iron-based alloy**).

The spring seats may be made adjustable even if this includes the adjunction of material.

A coil spring may be replaced with two or more springs of the same type, concentric or in series, provided that they can be fitted without any modifications other than those specified in this article.

The ride height must be adjustable only with the use of tools and when the car is immobile.

Shock Absorbers

Make is free, but not the number, the type (arm, etc.), the system of operation (hydraulic, friction, mixed, etc.) nor the supports.

The checking of the operating principle of the shock absorbers will be carried out as follows :

Once the springs and/or the torsion bars are removed, the vehicle must sink down to the bump stops in less than 5 minutes.

With regard to their principle of operation, gas-filled shock absorbers are considered as hydraulic shock absorbers.

If in order to change the damping element of a Mac Pherson suspension, or suspension working on an identical principle, it is necessary to replace the entire Mac Pherson strut, the replacement part must be mechanically equivalent to the original one, except for the damping element, and the spring cup.

If the shock absorbers have separate fluid reserves located in the cockpit, or in the boot if this is not separated from the cockpit, these must be strongly fixed and must have a protection.

A suspension travel limiter may be added.

Only one cable per wheel is allowed, and its sole function must be to limit the travel of the wheel when the shock absorber is not compressed.

Any servo control activating a power circuit acting directly or indirectly on the suspension parts is forbidden.

A system allowing the setting of the shock absorbers to be adjusted electronically is authorised.

Any electronic control system for the shock absorbers is forbidden.

Hub carriers

Titanium alloy hub carriers are forbidden, save in exceptional cases examined by the Rally Technical Working Group.

Wheels and tyres

Complete wheels are free provided that they may be housed within the original bodywork ; this means the upper part of the complete wheel, located vertically over the wheel hub centre, must be covered by the bodywork, when measured vertically.

Wheel fixations by bolts may be freely changed to fixations by pins and nuts.

For rallies only, the rim must be attached by means of at least 4 bolts or 4 pins.

The use of tyres intended for motor cycles is forbidden.

In no case may the width of the rim-tyre assembly in relation to the cubic capacity of the car, exceed the following:

Pri rallye :

do	1000 cm ³ :	7"
od	1000 cm ³ do 1150 cm ³ :	7"
od	1150 cm ³ do 1400 cm ³ :	8"
od	1400 cm ³ do 1600 cm ³ :	8"
od	1600 cm ³ do 2000 cm ³ :	9"
od	2000 cm ³ do 2500 cm ³ :	9"
od	2500 cm ³ do 3000 cm ³ :	9"
od	3000 cm ³ do 3500 cm ³ :	9"
od	3500 cm ³ do 4000 cm ³ :	9"
od	4000 cm ³ do 4500 cm ³ :	9"
od	4500 cm ³ do 5000 cm ³ :	9"
od	5000 cm ³ do 5500 cm ³ :	9"
nad	5500 cm ³	9"

Pre ostatné súťaže :

do	1000 cm ³ :	7"
od	1000 cm ³ do 1150 cm ³ :	7"
od	1150 cm ³ do 1400 cm ³ :	8"
od	1400 cm ³ do 1600 cm ³ :	8"
od	1600 cm ³ do 2000 cm ³ :	9"
od	2000 cm ³ do 2500 cm ³ :	9"
od	2500 cm ³ do 3000 cm ³ :	9"
od	3000 cm ³ do 3500 cm ³ :	10"
od	3500 cm ³ do 4000 cm ³ :	10"
od	4000 cm ³ do 4500 cm ³ :	11"
od	4500 cm ³ do 5000 cm ³ :	11"
nad	5000 cm ³	12"

Pre World Rally Car a Kit Car je priemer ráfika ľubovoľný, ale nesmie presiahnuť 18".

Pre ostatné vozidlá sa môže priemer ráfika zväčšiť, alebo zmenšiť najviac o 2" oproti pôvodnému rozmeru. Priemer ráfika však nesmie presiahnuť 18".

Pre všetky vozidlá, ale len pre súťaže na štrku, je priemer kolesa obmedzený nasledovne :

- Ak je šírka kolesa rovná, alebo menšia ako 6", jeho maximálny priemer je obmedzený na 16".
- Ak je šírka kolesa väčšia ako 6", jeho maximálny priemer je obmedzený na 15".

Pri rallye je maximálny priemer kompletného kolesa 650 mm, bez hrotov, ak sú tieto použité.

Kolesá nemusia byť nevyhnutne rovnakého priemeru..

Len pre rallye :

Zliatiny horčíka sú pre kolesá s priemerom menším ako 18" zakázané.

Pri kolesách 8x18", je horčík zakázaný a minimálna hmotnosť kolesa menšia ako 7.8 kg je zakázaná.

Okrem rallye, môžu byť kolesá prichytené centrálnou maticou, bezpečnostná pružina musí byť po celý čas súťaže na svojom mieste a musí byť vymenená po každej výmene kolesa.

Pružina musí byť natretá červenou farbou "Dayglo". Po celý čas musia byť k dispozícii náhradné pružiny.

5.5 Brzdový systém

Brzdový systém je ľubovoľný pod podmienkou, že :

- pozostáva najmenej z dvoch samostatných okruhov, ktoré sú ovládané jedným pedálom.
(Medzi pedálom a strmeňom musia byť dva samostatné nezameniteľné okruhy, bez akéhokoľvek prepojenia, alebo iného mechanického zariadenia vyrovnávajúceho brzdnú silu)
- medzi hlavným brzdovým válcom a strmeňom nie je žiadne zariadenie, alebo "systém".

Sníčame zapisovania údajov, kontakty zapínania zadných červených svetiel, predné a zadné mechanické obmedzovače a ručná brzda priamo ovládaná jazdcem sa nepovažujú za "systémy".

5.5.1 Brzdové obloženie

Brzdové obloženie a jeho montáž (nitovanie, lepenie a pod.) je ľubovoľné, pod podmienkou, že rozmery styčnej plochy bŕzd sa nezmenia.

In rallies:

up to	1000 cm ³ :	7"
over	1000 cm ³ and up to 1150 cm ³ :	7"
over	1150 cm ³ and up to 1400 cm ³ :	8"
over	1400 cm ³ and up to 1600 cm ³ :	8"
over	1600 cm ³ and up to 2000 cm ³ :	9"
over	2000 cm ³ and up to 2500 cm ³ :	9"
over	2500 cm ³ and up to 3000 cm ³ :	9"
over	3000 cm ³ and up to 3500 cm ³ :	9"
over	3500 cm ³ and up to 4000 cm ³ :	9"
over	4000 cm ³ and up to 4500 cm ³ :	9"
over	4500 cm ³ and up to 5000 cm ³ :	9"
over	5000 cm ³ and up to 5500 cm ³ :	9"
over	5500 cm ³ :	9"

For other competitions:

up to	1000 cm ³ :	7"
over	1000 cm ³ and up to 1150 cm ³ :	7"
over	1150 cm ³ and up to 1400 cm ³ :	8"
over	1400 cm ³ and up to 1600 cm ³ :	8"
over	1600 cm ³ and up to 2000 cm ³ :	9"
over	2000 cm ³ and up to 2500 cm ³ :	9"
over	2500 cm ³ and up to 3000 cm ³ :	9"
over	3000 cm ³ and up to 3500 cm ³ :	10"
over	3500 cm ³ and up to 4000 cm ³ :	10"
over	4000 cm ³ and up to 4500 cm ³ :	11"
over	4500 cm ³ and up to 5000 cm ³ :	11"
over	5000 cm ³ :	12"

For the World Rally Car and the Kit Car, the rim diameter is free but must not exceed 18".

For the other cars, the rim diameter may be increased or reduced by up to 2 inches in relation to the original dimensions. However, the rim diameter must not exceed 18".

In addition, for all cars and only for competitions on gravel, the dimensions of the wheels are limited as follows :

- If the width of the wheel is less than or equal to 6", its maximum diameter is limited to 16".
- If the width of the wheel is more than 6", its maximum diameter is limited to 15".

In rallies, the maximum diameter of the complete wheels is 650 mm, not including the studs if studded tyres are used.

The wheels do not necessarily have to be of the same diameter.

In Rallies only :

Forged magnesium is forbidden for wheels with a diameter of less than 18".

For 8x18" wheels, forged magnesium and a weight of less than 7.8 kg are forbidden.

Except for rallies, should the wheel be fixed using a central nut, a safety spring must be in place on the nut throughout the duration of the competition and must be replaced after each wheel change.

The springs must be painted "Dayglo" red. Spare springs must be available at all times.

Braking system

The braking system is free, provided that:

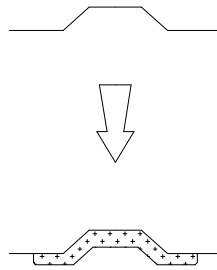
- it includes at least two independent circuits operated by the same pedal
(Between the brake pedal and the callipers, the two circuits must be separately identifiable, without any interconnection other than the mechanical braking force balancing device)
- there is no device or "system" fitted between the master cylinder and the callipers

Data logging sensors, contact switches for the rear red lights or front and rear mechanical limiters and handbrakes activated directly by the driver are not considered as "systems".

Brake linings

Material and mounting method (riveted or bonded) are free provided that the dimensions of the linings are retained.

5.5.2	Posilňovače bŕzd, regulátor tlaku brzdenia, protiblokovací systém	Servo brakes, braking force adjusters, anti-locking devices
	Posilňovače bŕzd sa môžu odpojiť a odstrániť, regulátory tlaku brzdenia a protiblokovací systém sa môžu odpojiť, ale nie odstrániť. Nastavovacie zariadenie je ľubovoľné.. Regulátory tlaku brzdenia nesmú byť premiestnené z priestoru, v ktorom boli pôvodne umiestnené (priestor pre posádku, motorový priestor, exteriér a pod .).	Servo-brakes may be disconnected and removed; braking force adjusters and antilocking devices may be disconnected, but not removed. The adjusting device is free. The braking force adjusters may not be moved from the compartment in which they are originally situated (cockpit, engine compartment, exterior, etc.).
5.5.3	Chladienie bŕzd	Cooling of brakes
	Ochranné kryty sa môžu upravovať, alebo odstrániť, ale nesmie byť pridaný materiál. Len jedna ohybná rúrka môže privádzať vzduch k brzde každého kolesa, ale jej vnútorný prierez sa musí vmestiť do kruhu s priemerom 10 cm. Táto rúrka môže byť zdvojená, ale v tom prípade vnútorný prierez každej rúrky sa musí vmestiť do kruhu s priemerom 7 cm. Prívodné rúrky vzduchu nesmú presahovať obrys vozidla pri pohľade zhora.	Protection shields may be modified or removed, but material may not be added. Only one flexible pipe to bring the air to the brakes of each wheel is allowed, but its inside section must be able to fit into a circle with a 10 cm diameter. This pipe may be doubled, but in that case the inside section of each pipe must be able to fit into a circle with a 7 cm diameter. The air pipes must not go beyond the perimeter of the car, seen from above.
5.5.4	Brzdové kotúče	Brake discs
	Jedinou povolenou operáciou je zarovnanie. Zariadenie na oškrabávanie blata z kotúča a / alebo kolesa sa môže domontovať.	The only operation allowed is rectification. A device for scraping away the mud that collects on the brake discs and / or the wheels may be added.
5.5.5	Ručná brzda môže byť odpojená, ale len pre podujatia na uzatvorenej trati (okruh, preteky do vrchu, slalomy).	The handbrake device may be disconnected but only for closed course races (circuit, hill climbs, slaloms).
5.5.6	Hydraulické potrubie	Hydraulic pipes
	Hydraulické potrubie môžu byť nahradené potrubím leteckého typu. Nádoby s brzdovou kvapalinou môžu byť umiestnené v priestore pre posádku, ale v tom prípade musia byť bezpečne uchytené a prekryté ohňovzdorným a kvapalinám odolným krytom.	Hydraulic pipes may be replaced by lines of aircraft quality. The brake fluid tanks may be fixed inside the cockpit. In that case, they must be securely fastened and be protected by a liquid and flame proof covering.
5.5.7	Brzdové strmene	Brake calipers
	Môžu sa použiť len strmene homologované v Skupine A. Je povolený le jeden strmeň na koleso. Prierez každého piestiku strmeňa musí byť okrúhly	Only brake calipers homologated in Group A may be used. Only one caliper is authorised on each wheel. The section of each caliper piston must be circular.
5.5.8	Hlavný valec	Master cylinder
	Hlavný valec musí byť homologovaný.	The brake master cylinders must be homologated.
5.6	Riadenie	Steering
	Posilňovač riadenia môže byť odpojený, ale nie odstránený.	Power steering may be disconnected but not removed.
5.6.1	Každý systém, ktorý umožňuje spätné vyrovnanie viac ako dvoch kolies je zakázaný.	Any steering system which permits the re-alignment of more than two wheels is forbidden.
5.6.2	Posilňovač riadenia nesmie mať elektronické ovládanie. Žiadny takýto systém nesmie mať inú funkciu, ako znížiť fyzickú námahu pri riadení vozidla. Ak je sériové produkčné vozidlo vybavené elektronicky riadeným systémom posilňovača riadenia : - ak je tento systém ponechaný, nesmie byť žiadny diel tohto systému upravovaný, ale elektronická riadiaca jednotka môže byť preprogramovaná. - Môže byť použitý nový typ systému posilňovača riadenia pod podmienkou, že nie je elektronicky riadený a je homologovaný.	Power assisted steering systems may not be electronically controlled. No such system may have any function other than that of reducing the physical effort required to steer the car. If the production car is fitted with an electronically controlled power steering system: - If this type of system is retained, no part of the system may be modified, but the electronic control unit may be reprogrammed. - It is possible to use a new type of power steering system provided that it is not electronically controlled and that it is homologated.
5.7	Karoséria - šasi	Bodywork - Chassis
5.7.1	Odfahčenia a spevnenia	Lightening and reinforcements
	Spevnenia odpružených častí šasi, alebo karosérie je dovolené pod podmienkou, že použitý materiál kopíruje pôvodný tvar a je s ním v kontakte. Spevnenia kompozitným materiálom sú povolené v súlade s týmto Článkom bez ohľadu na hrúbku, podľa Obr. 255-8.	Strengthening of the sprung parts of the chassis and bodywork is allowed provided that the material used follows the original shape and is in contact with it. Reinforcements by composite materials are allowed in accordance with this article, whatever their thickness, according to the Drawing 255-8.



255-8

Izolačný materiál z podlahy, motorového priestoru, batožinového priestoru a z podbehov kolies môže byť odstránený.

Nepoužívané držiaky (napr. pre rezervné koleso) umiestnené na šasi / karosérii sa môžu odstrániť, pokiaľ nesú držiakmi mechanických dielov, ktoré sa nemôžu odstrániť, alebo premiestniť.

Otvory v priestore pre posádku, v motorovom priestore a v batožinovom priestore a blatníkoch sa môžu uzatvoriť.

Otvory sa môžu uzatvoriť kovovou platničkou, alebo plastickým materiálom a môžu byť privarené, prilepené, alebo prinitované.

Ostatné otvory v karosérii môžu byť uzavreté len lepiacou páskou.

5.7.2 Exteriér

5.7.2.1 Nárazníky

Nárazníky sa môžu odstrániť.

5.7.2.2 Kryty nábojov a ozdobné kryty kolies

Kryty nábojov kolies sa môžu odstrániť. Ozdobné kryty kolies sa musia odstrániť.

5.7.2.3 Stierače

Motorček, umiestnenie, lišta a mechanizmus sú ľubovoľné, ale pod podmienkou, že na čelnom skle bude aspoň jeden stierač.

Stierače predných svetiel môžu byť odmontované.

Nádoba ostrekovača :

Objem nádoby ostrekovača je ľubovoľný, môže byť premiestnená do priestoru pre posádku v súlade s Článkom 252.7.3, , do batožinového, alebo motorového priestoru.

Čerpadlá, potrubia a trysky sú ľubovoľné.

5.7.2.4 Je povolené odstrániť vonkajšie ozdobné lišty, ktoré kopírujú tvar vozidla a nie sú vyššie ako 55 mm.

5.7.2.5 Zdvíhacie body môžu byť zosilnené, premiestnené a čo do počtu zvýšené.

5.7.2.6 Môžu byť namontované kryty predných svetiel pod podmienkou, že ich jedinou funkciou je zakryť sklo a nemajú žiadny vplyv na aerodynamiku vozidla..

5.7.2.7 S ohľadom na dopravné predpisy v každej krajine je umiestnenie a typ registračnej značky ľubovoľné.

5.7.2.8 Montážna podložka pod registračnú značku môže byť odmontovaná, ale jej osvetlenie nie..

5.7.2.9 Dodatočné bezpečnostné uchytenia čelného a bočných skiel môžu byť domontované pod podmienkou, že nemajú vplyv na aerodynamiku vozidla. Môžu byť použité len pôvodné čelné sklá, alebo sklá homologované vo Voliteľnom variante a ich hmotnosť musí byť väčšia ako 9.2 kg.

5.7.2.10 Uchytenie ochrany podvozku je povolené len v Rallye pod podmienkou, že tieto sú naozaj na ochranu, dodržia výšku, sú rozoberateľné a sú navrhnuté výhradne na ochranu nasledujúcich častí : motor, chladič, zavesenie, prevodovka, nádrž, prevody, výfuk, hasiace prístroje.

Tieto ochranné kryty sú buď z hliníkovej zliatiny, alebo z

Insulating material may be removed from under the car floor, from the engine compartment, the luggage boot, and the wheel arches.

Unused supports (e.g. spare wheel) situated on the chassis/bodywork can be removed, unless they are supports for mechanical parts which cannot be moved or removed.

It is possible to close the holes in the cockpit, the engine and luggage compartments, and in the wings.

The holes may be closed using sheet metal or plastic materials, and may be welded, stuck or riveted.

The other holes in the bodywork may be closed, by adhesive tape only.

Exterior

Bumpers

Overriders may be removed.

Hub-caps and wheel embellishers

Hub-caps may be removed. Wheels embellishers must be removed.

Windscreen wipers

Motor, position, blades and mechanism are free but there must be at least one windscreen wiper provided for the windscreen.

The headlamp washer device may be dismantled.

Windscreen washer tank:

The capacity of the washer tank is free and the tank may be moved inside the cockpit in accordance with Article 252.7.3, inside the boot or the engine compartment.

The pumps, lines and nozzles are free.

The removal of external decorative strips, following the contour of the car and less than 55 mm high, is authorised.

Jacking points may be strengthened, moved, and increased in number.

Headlight covers may be fitted provided their sole aim is to protect the headlight glass and they have no effect on the car's aerodynamics.

Taking into account the different police regulations in each country, registration plate locations and type are free.

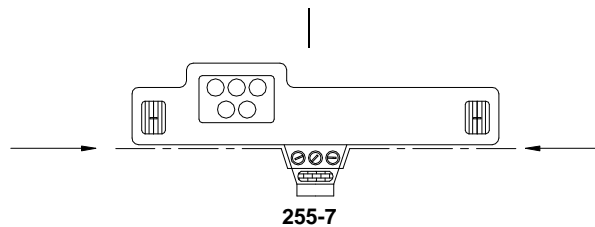
The registration plate mountings may be dismantled but not their lighting system.

Additional safety fastenings for the windscreen and the side windows may be fitted provided they do not improve the aerodynamic qualities of the car. Only series windscreens and windscreens homologated in option variant of which the weight is greater than 9.2 kg may be used.

The fitting of underbody protections is authorised in rallies only, provided that these really are protections which respect the ground clearance, which are removable and which are designed exclusively and specifically in order to protect the following parts: engine, radiator, suspension, gearbox, tank, transmission, exhaust, extinguisher bottles.

These protections must be made from either aluminium alloy

<p>ocele a majú minimálnu hrúbku 4 mm alebo pri oceli 2 mm.</p> <p>A predsa je možné zosilniť horné diely kovovými, alebo kompozitnými rebrami a dodať nekonštrukčné kompozitné diely.</p> <p>Ochrana podvozku môže siahať po celej šírke vozidla od dutiny nárazníka len po os predných kolies.</p>	<p>or steel and have a minimum thickness of 4 mm and 2 mm for steel.</p> <p>Nevertheless, it is possible to reinforce the upper part with metal or composite ribs and to add non-structural composite parts.</p> <p>Underbody protections may extend the whole width of the underside part of the front bumper only in front of the front wheel axis.</p>
<p>5.7.2.11 Ohýbať okraje oceľových plechov, alebo znižovať plastické okraje blatníka a nárazníka je povolené, pokiaľ zasahujú do vnútorných priestorov kolesa.</p> <p>Plastové protihlukové diely z podbehov kolesa sa môžu odstrániť.</p> <p>Môžu byť nahradené hliníkovými, alebo plastovými rovnakého tvaru.</p> <p>Prichytenie blatníkov privarením sa môže zameniť za prichytenie skrutkami.</p>	<p>It is permitted to fold back the steel edges or reduce the plastic edges of the wings and the bumpers if they protrude inside the wheel housing.</p> <p>Plastic soundproofing parts may be removed from the wheel openings.</p> <p>These plastic elements may be changed for aluminium or plastic elements of the same shape.</p> <p>The attachment of the wings by weld may be changed for attachment by bolts/screws.</p>
<p>5.7.2.12 Len pre rallye : zdvihák musí byť ovládaný výhradne ručne (jazdcom, alebo spolujazdcom) tzn. bez pomoci systému s hydraulickým, pneumatickým, alebo elektrickým zdrojom energie.</p> <p>Uťahovačka nesmie uvoľňovať viac ako jednu maticu naraz.</p> <p>Ostatné súťaž: Odstrániteľné pneumatické zdviháky sú povolené, ale bez tlakových vzduchových fľaš vo vozidle.</p>	<p>In Rallies only: The jack must be operated exclusively by hand (either by the driver, or by the co-driver), i.e. without the help of a system equipped with a hydraulic, pneumatic or electric energy source.</p> <p>The wheel gun must not allow the removal of more than one nut at a time.</p> <p>Other competitions : Removable pneumatic jacks are permitted, but without the compressed air bottle on board.</p>
<p>5.7.2.13 "Zásterky" sú zakázané. Všetky nehomologované zariadenia, alebo konštrukcie navrhnuté na úplné, alebo čiastočné prekrytie priestoru medzi odpruženými časťami vozidla a zemou sú za všetkých okolností zakázané</p> <p>Žiadna ochrana povolená v Článku 255.5.7.2.10 nesmie mať vplyv na aerodynamiku vozidla.</p>	<p>"Skirts" are banned. All non-homologated devices or constructions designed so as to fully or partially fill the space between the sprung part of the car and the ground is forbidden in all circumstances.</p> <p>No protection authorised by Article 255.5.7.2.10 can play a role in the aerodynamics of the car.</p>
<p>5.7.2.14 Závesy dverí sa nemôžu upravovať.</p> <p>Závesy a/alebo pánty kapoty motora a batožinového priestoru a zadných dverí sú ľubovoľné, ale nesmie sa meniť, alebo pridávať ich umiestnenie, alebo meniť ich funkcia.</p>	<p>The door hinges must not be modified.</p> <p>The hinges and/or joins of the bonnet, boot lid and tailgate are free, but it is not possible to change or add their locations or to change their functions.</p>
<p>5.7.3 Priestor pre posádku</p>	<p>Cockpit</p>
<p>5.7.3.1 Sedadlá</p> <p>Predné sedadlá môžu byť posunuté dozadu, ale nie viac , ako po zvislú rovinu prechádzajúcu prednou hranou pôvodných zadných sedadiel.</p> <p>Hranica predného sedadla je tvorená výškou sedadla bez opierky hlavy a ak je opierka zabudovaná do sedadla, tak najzadnejším bodom jazdcových ramien.</p> <p>Sedadlá pre cestujúcich, ako aj zadné sedadlá môžu byť odstránené.</p>	<p>Seats</p> <p>The front seats may be moved backwards but not beyond the vertical plane defined by the front edge of the original rear seat.</p> <p>The limit relating to the front seat is formed by the height of the seatback without the headrest, and if the headrest is incorporated into the seat, by the rearmost point of the driver's shoulders.</p> <p>The passenger's seat may be removed as well as the rear seats.</p>
<p>5.7.3.2 Ak je palivová nádrž umiestnená v batožinovom priestore a zadné sedadlá sú odstránené musí byť priestor pre posádku od palivovej nádrže oddelený ohňovzdornou, kvapalinám odolnou prepážkou.</p> <p>V prípade dvojpriestorových vozidiel je sa môže použiť nekonštrukčná priehľadná, ohňovzdorná, plastová oddeľujúca stena medzi priestorom pre posádku a priestorom palivovej nádrže.</p> <p>Pre dvojpriestorové vozidlá homologované po 01.01.98, s palivovou nádržou umiestnenou v batožinovom priestore, musí byť táto nádrž a jej plniace otvory, prekrytá ohňovzdorným, kvapalinám odolným krytom.</p> <p>Pre trojpriestorové vozidlá homologované od 01.01.98, Musí palivovú nádrž a priestor pre posádku oddeľovať ohňovzdorná, kvapalinám odolná prepážka.</p> <p>Je doporučené, aby takáto prepážka pri trojpriestorových vozidlách bola nahradená kvapalinám odolným krytom, ako tomu je pri dvojpriestorových vozidlách.</p>	<p>Should the fuel tank be installed in the boot and the rear seats removed, a fireproof and liquid-proof bulkhead must separate the cockpit from the fuel tank.</p> <p>In the case of twin-volume cars it is possible to use a non-structural partition wall in transparent, non-flammable plastic between the cockpit and the tank arrangement.</p> <p>For twin-volume cars homologated from 01.01.98, with a fuel tank installed in the luggage compartment, a fireproof and liquid-proof case must surround the fuel tank and its filler holes.</p> <p>For three-volume cars homologated from 01.01.98, a fireproof and liquid-proof bulkhead must separate the cockpit from the fuel tank.</p> <p>Nevertheless, it is recommended that this liquid-proof bulkhead be replaced by a liquid-proof case as for twin-volume cars.</p>
<p>5.7.3.3 Prístrojová doska</p> <p>Vybavenie pod prístrojovou doskou, ktoré nie je jej súčasťou, môže byť odstránené.</p> <p>Je povolené odstrániť časť stredovej konzoly, ktorá neobsahuje kúrenie, ani prístroje (podľa Obr. 255-7).</p>	<p>Dashboard</p> <p>The trimmings situated below the dashboard and which are not a part of it may be removed.</p> <p>It is permitted to remove the part of the centre console which contains neither the heating nor the instruments (according to the Drawing 255-7).</p>



255-7

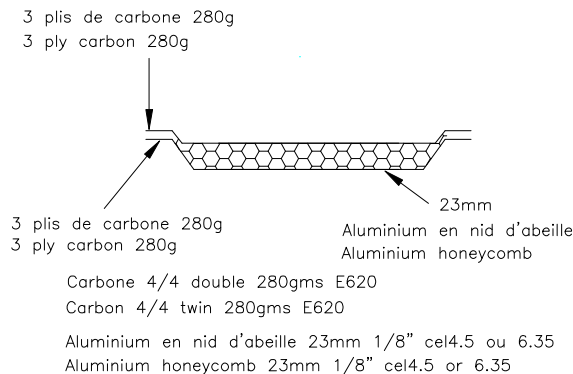
5.7.3.4 Dvere – bočná výplň

Je dovolené odstrániť z dverí zvukovoizolačný materiál pod podmienkou, že to neupraví tvar dverí..

Pri dvojdvorových vozidlách môže byť výplň pod zadnými bočnými oknami tiež odstránená, ale musí byť nahradená panelmi z nehorľavého kompozitného materiálu.

- a) Je povolené odstrániť výplň dverí spolu s ich bočnou výstuhou v prípade, že bude nainštalovaný bočný ochranný panel z nehorľavého kompozitného materiálu.

Minimálna zostava tohto panelu musí byť v súlade s Obr. 255-14.



255-14

- b) Ak pôvodná konštrukcia dverí nebola upravená (odstránenie, aj keď len čiastočné, rúrok vystuženia) panel dverí môže byť z kovovej fólie minimálnej hrúbky 0,5 mm, z uhlíkových vlákien minimálnej hrúbky 1 mm, alebo z iného pevného, nehorľavého materiálu minimálnej hrúbky 2 mm.

Minimálna výška bočnej ochrany dverí musí byť od základne po najvyššiu výšku rozpery dverí.

Je povolené nahradiť elektrické otváranie okien ručným. V prípade vozidiel so 4, alebo 5 dverami, môže byť otváranie zadných okien nahradené zariadením, ktoré uzavrie zadné okná v zatvorenej pozícii.

5.7.3.5 Podlaha

Koberce sú ľubovoľné a preto môžu byť odsránené.

5.7.3.6 Ostatné zvukovoizolačné materiály a obloženia

Ostatné obloženia môžu byť odstránené, okrem tých, uvedených v Článkoch 5.7.3.4 (Dvere) a 5.7.3.3 (Prístrojová doska).

5.7.3.7 Vykurovanie

Pôvodné vykurovanie môže byť odstránené, ale elektrické ofukovanie, alebo podobný systém musí zostať zachovaný.

5.7.3.8 Klimatizácia

Môže byť pridaná, alebo odstránená, ale kúrenie musí byť zachované.

5.7.3.9 Volant

Je ľubovoľný; zariadenie proti odcudzeniu môže byť odstránené.

Rýchlo uvoľňovací mechanizmus musí pozostávať z príruby súosej k osi volantu natretý žltou metalizovanou farbou,

Doors - Side trim

It is permitted to remove the soundproofing material from the doors, provided that this does not modify the shape of the doors.

In the case of a two-door car, the trim situated beneath the rear side windows may also be removed but must be replaced with panels made from non-inflammable composite material.

It is permitted to remove the trim from the door together with the side protection bar in order to install a side protection panel which is made from non-inflammable composite materials.

The minimum configuration of this panel must comply with that shown on Drawing 255-14.

If the original structure of the doors has not been modified (removal, even partially, of the tubes or reinforcements), the door panels may be made from metal sheeting at least 0.5 mm thick, from carbon fibre at least 1 mm thick or from another solid and non-combustible material at least 2 mm thick.

The minimum height of this panel must extend from the base of the door to the maximum height of the door strut.

It is permitted to replace electric winders with manual ones.

In the case of cars with 4 or 5 doors, the lift mechanism for the rear windows may be replaced with a device that locks the rear windows in the closed position.

Floor

Carpets are free and may thus be removed.

Other sound proofing materials and trim

Other padding materials, except for those mentioned under Articles 5.7.3.4 (Doors) and 5.7.3.3 (Dashboard), may be removed.

Heating system

The original heating system may be removed but an electric demist system or similar must be retained.

Air-conditioning

May be added or removed but heating must be assured.

Steering wheel

Free; the anti-theft device may be removed.

The quick release mechanism must consist of a flange concentric to the steering wheel axis, coloured yellow through anodisation or any other durable yellow coating, and

<p>alebo iným žltým stálym povlakom a namontovaný na stĺpiku riadenia za volantom. Tento uvoľňujúci mechanizmus sa musí ovládať posunom príruby pozdĺž osi volantu.</p> <p>5.7.3.10 Zadné pohyblivé platô pri dvojpriestorových vozidlách sa môže odstrániť .</p> <p>5.7.3.11 Vzduchové potrubie Vzduchové potrubie môže prechádzať priestorom pre posádku len vtedy, ak sú tieto použité na vetranie tohto priestoru.</p> <p>5.7.4 Dodatočné príslušenstvo Všetky doplnky, ktoré nemajú vplyv na správanie sa vozidla, ako napr. zariadenia na zlepšenie estetického vzhľadu, alebo pohodlia sú povolené bez obmedzenia (osvetlenie, kúrenie, rádio a pod.). V žiadnom prípade nesmú tieto doplnky zvyšovať výkon motora, alebo mať vplyv na riadenie, prevody, brzdy, alebo jazdné vlastnosti, dokonca ani nepriamym spôsobom. Všetky ovládače musia plniť úlohu, ktorú im určil výrobca. Môžu byť prispôbené kvôli lepšej ovladateľnosti a dostupnosti, ako napr. dlhšia rukoväť ručnej brzdy, dodatočná plocha na brzdovom pedáli a pod. Každá zmena rýchlosti môže byť zaznamenaná len Hallovým efektom, alebo indukčnými snímačmi pracujúcimi s ozubeným kolesom Je povolené nasledujúce :</p> <ol style="list-style-type: none"> 1) Pôvodné čelné sklo homologovaného vozidla môže byť upravené, ale musí byť homologované FIA a mať platný homologačný list. 2) Meracie prístroje ako napr. tachometer môžu byť namontované, alebo premiestnené a môžu mať aj rozdielnu funkciu. Takáto montáž nesmie spôsobovať žiadne nebezpečenstvo. Tachometer však nemôže byť vymontovaný, pokiaľ si to vyžadujú zvláštne predpisy súťaže 3) Klaksón môže byť vymenený a/alebo pridaný ešte jeden v dosahu posádky. Na uzavretej ceste nie je klaksón povinný 4) Vypínače a elektrické kontrolky umiestnené na stĺpiku riadenia môžu byť, v prípade ďalších doplnkov, ľubovoľne menené vzhľadom k ich použitiu, umiestneniu a počtu. 5) Mechanizmus páky ručnej brzdy môže byť nahradený ručnou brzdou s okamžitým uvoľnením ("fly-off ručná brzda"). 6) Rezervné koleso (kolesá) nie je (sú) povinné. Avšak ak sú, musia byť bezpečne uchytené a nesmú byť umiestnené v priestore vyhradenom pre jazdca a predného spolucestujúceho, (ak sa takýto nachádza vo vozidle) . Z uchytenia náhradného kolesa nesmú vyplynúť žiadne úpravy karosérie.. 7) Dodatočné oddelenia sa môžu doplniť do odkladacej skrinky a do dverí pod podmienkou, že použijú pôvodné panely 8) Izolačný materiál, na ochranu posádky pred požiarom sa môže pridať k existujúcim prepážkam. 9) Kĺby systému zmeny prevodových stupňov sa môžu vymeniť. <p>5.8 Elektrický systém</p> <p>5.8.1 Nominálne napätie elektrického systému, vrátane obvodu zapalovania, musí zostať zachované.</p> <p>5.8.2 Je povolené pridať relé a poistky do elektrického obvodu, ako aj natiiahnutie, alebo pridanie kabeláže. Elektrické káble a ich izolácia sú ľubovoľné</p> <p>5.8.3 Batéria</p>	<p>installed on the steering column behind the steering wheel. The release must be operated by pulling the flange along the steering wheel axis.</p> <p>The rear removable window shelf in two-volume cars may be removed.</p> <p>Air pipes Air pipes may only pass through the cockpit if these are intended for the ventilation of the cockpit.</p> <p>Additional accessories All those which have no influence on the car's behaviour are allowed, for example equipment which improves the aesthetics or comfort of the car interior (lighting, heating, radio, etc.). In no case may these accessories increase the engine power or influence the steering, transmission, brakes, or road holding even in an indirect fashion. All controls must retain the role laid down for them by the manufacturer. They may be adapted to facilitate their use and accessibility, for example a longer handbrake lever, an additional flange on the brake pedal, etc. Any speed uptake can only be carried out using Hall effect or inductive sensors operating with a cogwheel. The following is allowed: The original windows of the homologated vehicle may be modified but must be homologated by the FIA and form the subject of a homologation form. Measuring instruments such as speedometers etc. may be installed or replaced, and possibly have different functions. Such installations must not involve any risk. However, the speedometer may not be removed, if the supplementary regulations of the competition prevent this. The horn may be changed or an additional one added, within reach of the passenger. The horn is not compulsory on closed roads. Circuit breakers and electrical controls fitted to the steering column may be freely changed vis-à-vis their use, position, or number in the case of additional accessories. A "fly-off" hand brake may be installed. Spare wheel(s) is (are) not compulsory. However if there are any, they must be securely fixed, and not installed in the space reserved for the driver and the front passenger (if the latter is on board) of the vehicle.No exterior modification of the bodywork must result from this installation. Additional compartments may be added to the glove compartment and additional pockets in the doors provided they use the original panels. Insulating material may be added to the existing bulkhead to protect the passengers from fire. It is permitted to change the joints of gearbox change systems.</p> <p>Electrical system The nominal voltage of the electrical system including that of the supply circuit of the ignition must be retained. The addition of relays and fuses to the electrical circuit is allowed as is the lengthening or addition of electric cables. Electric cables and their sleeves are free.</p> <p>Battery</p>
---	--

Značka a typ batérie.

Značka, kapacita a batériové káble sú ľubovoľné.

Nominálne napätie musí byť rovnaké, alebo nižšie, ako pri štandardnom produkčnom vozidle.

Počet batérií daný výrobcom musí ostať zachovaný

Umiestnenie batérie (batérií) :

Umiestnenie je ľubovoľné.

Ak je batéria umiestnená v priestore pre posádku:

- musí byť za základňou sedadla jazdca, alebo spolujazdca.
- Batéria musí byť suchá.

Uchytenie batérie :

Každá batéria musí byť bezpečne uchytená a kladný pól musí byť chránený.

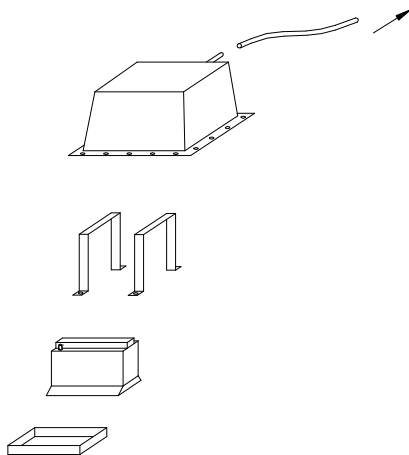
Ak je batéria premiestnená z pôvodného miesta musí byť prichytená ku karosérii použitím kovovej podložky dvomi kovovými izolovanými svorkami uchytenými do podlahy skrutkami a maicami.

Pre uchytenie týchto svoriek sa musia použiť kovové skrutky s priemerom najmenej 10 mm a pod každou skrutkou musí byť platnička s hrúbkou minimálne 3 mm a s plochou minimálne 20 cm² zo spodu karosérie.

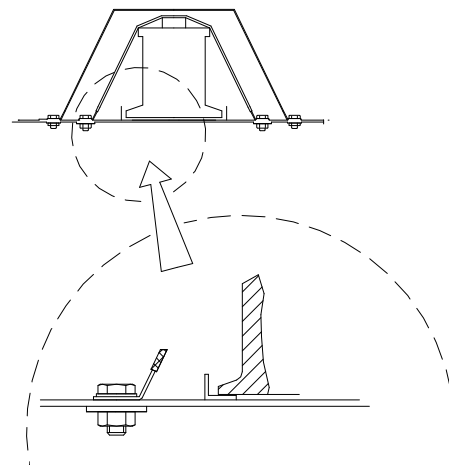
Mokrú batéria :

Mokrú batéria musí byť prekrytá nepriepustným plastickým krytom uchyteným nezávisle od batérie.

Ochranný kryt musí mať prívod vzduchu s vyústením mimo priestoru pre posádku (Obrázky 255-10 a 255-11).



255-10



255-11

Make and type of battery:

The make, capacity and cables of the battery(ies) are free.

The nominal voltage must be the same or lower than that of the standard production car.

The number of batteries laid down by the manufacturer must be retained.

Location of the battery(ies):

Its location is free.

If installed in the cockpit:

- the battery must be situated behind the base of the driver's or co-driver's seat.
- the battery must be a dry battery.

Battery fixing:

Each battery must be securely fixed and the positive terminal must be protected.

Should the battery be moved from its original position, it must be attached to the body using a metal seat and two metal clamps with an insulating covering, fixed to the floor by bolts and nuts.

For attaching these clamps, metallic bolts with a diameter of at least 10 mm must be used, and under each bolt, a counterplate at least 3 mm thick and with a surface of at least 20 cm² beneath the metal of the bodywork.

Wet battery:

A wet battery must be covered by a leak proof plastic box, attached independently of the battery.

The protection box must include an air intake with its exit outside the cockpit (see Drawings 255-10 and 255-11).

5.8.4 Generátor, regulátor napätia a alternátor - štartér

Ľubovoľné, ale systém pohonu generátora sa nesmie upravovať.

Generátor a regulátor napätia sa môžu vpriemestniť, ale musia ostať vo svojom pôvodnom priestore (motorovom a pod...).

Môžu byť kombinované ak ich malo pôvodné homologované vozidlo pod podmienkou, že pochádzajú z iného sériového modelu..

5.8.5 Osvetlenie - signalizácia

Všetky zariadenia osvetlenia a signalizácie musia vyhovovať zákonom krajiny, v ktorej sa podujatie koná, alebo medzinárodným dohodám o cestnej doprave.

Berúc toto na vedomie môže byť umiestnenie smeroviek, a parkovacích svetiel upravené, ale pôvodné otvory musia byť utesnené.

Značka zariadenia svetiel je ľubovoľná.

Svetelné zariadenia, ktoré sú súčasťou štandardného vybavenia sú tie, ktoré stanovil výrobca a musia vyhovovať funkcii, ktorú stanovil výrobca pre príslušný model.

Pôvodné čelné svetlá sa môžu nahradiť inými, ktoré majú rovnakú osvetľovaciu funkciu pokiaľ v karosérii nevznikne otvor a pôvodné otvory sa musia úplne zaslepiť.

Ovládací systém výklopných svetiel, ako aj zdroj jeho

Generator, voltage regulator and alternator-starter

Free, but the driving system of the generator must not be modified.

The generator and the voltage regulator may be moved but must remain in their original compartment (engine bay, etc...).

They may be combined if the homologated vehicle had them originally and provided they come from another series model.

Lighting - Indicating

All lighting and signalling devices must comply with the legal requirements of the country of the competition or with the International Convention on Road Traffic.

Taking this into account the location of the indicators and parking lights may be modified, but the original orifices must be sealed.

The make of the lighting devices is free.

Lighting devices which are part of the standard equipment must be those laid down by the manufacturer and must comply where their functioning is concerned with what the manufacturer has laid down for the model in question.

Original headlamps can be replaced by others having the same lighting functions as long as there is no cutout in the bodywork and the original holes are completely closed.

The operating system of the retractable headlights, as well

energie sa môže upraviť..

Úplna voľnosť je ponechaná pre sklo, reflektor a žiarovky .

Celkovo môže byť pridaných maximálne 6 predných svetiel pod podmienkou, že celkový počet bude párný.

Ak sú sériové hmlové svetlá zachované **rátajú sa** medzi prídavné.

Môžu byť uchytené, ak je to nevyhnutné, na prednej časti karosérie, alebo na maske chladiča, ale v takomto prípade musia byť otvory vyrobené pre svetlá úplne nimi vyplnené.

Pôvodné predné svetlá môžu byť vyradené z prevádzky a môžu byť prekryté lepiacou páskou

Náhrada hranatých predných svetiel dvoma okrúhlymi, a naopak, je povolená, ak sú namontované na držiaky, rozmermi zodpovedajúcimi otvoru a úplne utesnené.

Montáž cúvacieho svetla je povolená, pokiaľ je to nutné zapustením do karosérie pod podmienkou, že cúvacie svetlo je zapnuté len pri zaradení spiatocky a že sú dodržané dopravné predpisy.

Ak je držiak novej poznávacej značky vybavený osvetlením, môže byť pôvodný systém (držiak a osvetlenie) odstránený.

Okrem rallye nie je osvetlenie značky povinné.

Zvláštne ustanovenia súťaže môžu uvádzať výnimky z horeuvedených predpisov.

5.9 Palivová nádrž

5.9.1 Celkový objem palivových nádrží nesmie prekročiť nasledovné limity, s ohľadom na objem válcov :

do	700 cm ³			60 l
od	700 cm ³	do	1000 cm ³	70 l
od	1000 cm ³	do	1400 cm ³	80 l
od	1400 cm ³	do	1600 cm ³	90 l
od	1600 cm ³	do	2000 cm ³	100 l
od	2000 cm ³	do	2500 cm ³	110 l
nad	2500 cm ³			120 l

Len pri rallye a pri objeme válcov väčšom ako 1400 cm³, je objem palivových nádrží obmedzený na 95 l.

5.9.2 Palivová nádrž môže byť vymenená za bezpečnostnú palivovú nádrž homologovanú FIA (špecifikácia FT3 1999, FT3.5 alebo FT5), alebo za inú nádrž homologovanú výrobcou vozidla.

V takomto prípade je počet nádrží ľubovoľný a nádrž musí byť umiestnená v batožinovom priestore, alebo na svojom pôvodnom mieste.

Zberné nádoby s objemom menším ako 1 liter sú ľubovoľné.

Rôzne homologované nádrže (vrátane pôvodnej nádrže a nádrže špecifikácií FT3 1999, FT3.5 alebo FT5), môžu byť rôzne kombinované, až do možností, keď ich celkový objem nepresiahne obmedzenia dané Článkom 5.9.1.

Poloha pôvodnej nádrže sa môže zmeniť len vo vozidlách, v ktorých bola pôvodná nádrž umiestnená v priestore pre posádku, alebo blízko posádky.

V takomto prípade je povolené, buď namontovať ochranné zariadenie medzi nádrž a posádku vozidla, alebo umiestniť nádrž do batožinového priestoru a, ak to je nutné, upraviť jej príslušenstvo (plniace otvory, palivové čerpadlo, prietokové potrubia).

V takomto prípade tieto zmeny umiestnenia nádrží nesmú poskytnúť dôvod na žiadne odľahčenia, alebo spevnenia iné ako tie, uvedené v Článku 5.7.1, , ale otvory, ktoré ostali po premiestnení pôvodnej nádrže môžu byť zakryté panelom.

Chladič paliva sa môže umiestniť do palivového okruhu (jeho maximálny objem je 1 liter).

Je povolené vyvŕtať dva otvory (s maximálnym priemerom 60mm) do podlahy, ktorých jedinou funkciou je prechod potrubí potrebných na plnenie / vyprázdnenie nádrže.

5.9.3 Použitie nádrže s väčším objemom môže povoliť ASN, so súhlasom FIA pri súťažiach, ktoré sa konajú v špeciálnych geografických podmienkach (napríklad pri prechodoch púšťou, alebo tropickými krajinami).

as its energy source, may be modified.

Freedom is granted with regard to the frontal glass, the reflector and the bulbs.

A maximum of 6 additional headlights are authorised, provided that the total number is even.

If the series fog lamps are kept, they **are** counted as additional headlights.

They may, if necessary, be fitted in the front part of the coachwork or in the radiator grille, but such openings as needed in this case must be completely filled by the headlights.

Original headlights may be rendered inoperative and may be covered with adhesive tape.

The replacement of a rectangular headlight by two circular ones, or vice-versa, fitted on a support corresponding to the dimensions of the aperture and sealing it completely is allowed.

The fitting of a reverse-light is authorised, if necessary by embedding it into the coachwork, provided that it is only switched on when the reverse gear is engaged and that the police regulations are respected.

If a new registration plate support is provided for with lighting, the original system (support and lighting) may be removed.

Except in rallies, plate lighting is not compulsory.

The Supplementary Regulations of an competitions may give waivers to the above mentioned prescriptions.

Fuel tanks

The total capacity of the fuel tanks must not exceed the following limits, in relation to the engine capacity:

up to	700 cm ³			60 l
over	700 cm ³	and up to	1000 cm ³	70 l
over	1000 cm ³	and up to	1400 cm ³	80 l
over	1400 cm ³	and up to	1600 cm ³	90 l
over	1600 cm ³	and up to	2000 cm ³	100 l
over	2000 cm ³	and up to	2500 cm ³	110 l
over	2500 cm ³			120 l

In rallies only, and for an engine capacity greater than 1400 cm³, the capacity is limited to 95 l.

The fuel tank may be replaced by a safety fuel tank homologated by the FIA (specification FT3 1999, FT3.5 or FT5) or by another tank homologated by the car manufacturer.

In this case, the number of tanks is free and the tank must be placed inside the luggage compartment or in the original location.

The construction of collector tanks with a capacity of less than 1 litre is free.

The various homologated tanks and the FT3 1999, FT3.5 or FT5 tanks may also be combined (including the standard tank), insofar as the total of their capacities does not exceed the limits determined by Article 5.9.1.

The position of the original tank may only be modified in cars of which the tank has been placed by the manufacturer inside the cockpit or close to the occupants.

In this case it is permissible either to install a protective device between the tank and the occupants of the car, or to place the tank in the luggage compartment, and, if need be, to modify its supplementary accessories (refuelling orifice, petrol pump, overflow pipe).

In any case, these changes of the position of the tanks must not give rise to any lightenings or reinforcements other than those provided for under Article 5.7.1 but the opening remaining after the removal of the original tank may be closed by the installation of a panel.

It is possible to fit a radiator in the fuel circuit (maximum capacity one litre).

It is authorised to drill 2 holes (maximum diameter of 60mm or equivalent area) in the floor, the sole function of which is to allow the passage of the lines necessary to feed / empty the fuel tank.

The use of an increased-capacity fuel tank may be authorised by an ASN with the agreement of the FIA for competitions organised under special geographic conditions (crossing desert or tropical country for example).

Čl. 6	OBMEDZENIA PRE VOZIDLÁ HOMOLOGOVANÉ V SUPER 1600 KIT VARIANTE	RESTRICTIONS FOR CARS HOMOLOGATED IN THE SUPER 1600 KIT VARIANT
6.1	<p>Definícia</p> <p>Super 1600 Kit Variant (VK-S1600) je variantom stálego modelu vozidla homologovaného v Skupine A a preto musí byť postavené ako vozidlo Skupiny A.</p> <p>Vozidlá, ktoré sú oprávnené štartovať, sú modely s predným pohonom, s atmosférickým plnením s objemom válcov 1600 cm³ v Kit variante.</p> <p>Diely homologované vo "Variante Kit Super 1600" (VK-S1600) musia byť použité v celku a bez upravovania.</p>	<p>Definition</p> <p>A Super 1600 Kit variant (VK-S1600) is a variant of a fixed model of car previously homologated in Group A and must therefore be assembled like a Group A vehicle.</p> <p>Eligible vehicles are models with front-wheel drive and a normally aspirated engine with a cylinder capacity of up to 1.6 litres in kit variant.</p> <p>The parts homologated in the "Super 1600 Kit variant" (VK-S1600) form must be used in their entirety and must not be modified.</p>
6.2	<p>Poids</p> <p>Minimálna hmotnosť je 1000 kg pri splnení podmienok Článku 4.3 (a len s jedným náhradným kolesom).</p> <p>Kombinovaná minimálna hmotnosť (daná podmienkami Článku 4.3 a s jedným náhradným kolesom) spolu s posádkou (jazdec + spolujazdec) je 1150 kg.</p> <p>Keď sú prepravované dve náhradné kolesá vo vozidle, musí byť jedno pred vážením vybrať.</p>	<p>Weight</p> <p>The minimum weight is 1000 kg under the conditions of Article 4.3 (and with only one spare wheel).</p> <p>The combined minimum weight of the car (under the conditions of Article 4.3 and with only one spare wheel) and crew (driver + co-driver) is 1150 kg.</p> <p>When two spare wheels are carried in the car, the second spare wheel must be removed before weighing.</p>
6.3	<p>Obmedzenia</p>	<p>Restrictions</p>
6.3.1	<p>Motor</p> <p>a) Kompresný pomer Maximálny kompresný pomer je 13 :1. Po celý čas musí byť kompresný pomer takýto, alebo nižší.</p> <p>Povrch piestov môže byť opracovaný len kvôli tomu, aby sa dosiahol predpísaný kompresný pomer.</p> <p>b) Akýkoľvek systém rozprašovania vody je zakázaný.</p> <p>c) Systém meniteľného časovania (časovanie ventilov a zdvih ventilov) je zakázané</p> <p>d) Meniteľná geometria sacieho a výfukového potrubia sú zakázané. Ak je ním vybavené sériové vozidlo, musí byť tento systém vyradený z prevádzky. Sacie a výfukové potrubie musia byť homologované.</p> <p>Hrúbka rúrky výfukového potrubia musí byť väčšia ako 0,9 mm, meraná v neohnutých častiach.</p> <p>e) Otáčky motora sú obmedzené na 9000 ot/min.</p>	<p>Engine</p> <p>Compression ratio The maximum compression ratio is 13/1. The compression ratio must remain at or below this value at all times. The surface of the piston may be machined for the sole purpose of adjusting the compression ratio.</p> <p>Any water spraying system is prohibited.</p> <p>Variable timing systems (valve timing and valve lift) are prohibited.</p> <p>Variable geometry intake and exhaust manifolds are prohibited. If the series-produced car is equipped with one, it has to be deactivated. Intake manifold and exhaust manifolds must be homologated. The thickness of the pipes of the exhaust system must be greater than or equal to 0.9 mm, measured at the level of the non bent areas.</p> <p>The engine speed is limited to 9000 rpm.</p>
6.3.2	<p>Prevody</p> <p>a) Spojka Minimálny priemer spojky je 184 mm. Trecí kotúč (kotúče) nesmú byť z karbónu.</p> <p>b) Prevodovka Môže byť homologovaná len jedna prevodovka s maximálne šiestimi doprednými a jednou spiatočnou rýchlosťou Sada 6 prevodovových pomerov a 1 spiatočný prevod, ako aj 3 prevody nápravy môžu byť homologované. Skríňa prevodovky musí bezpodmienečne byť z hliníkovej zliatiny. Minimálna hmotnosť kompletnej prevodovky (kompletná prevodovka s namontovaným diferenciálom, bez držiakov, oleja, spojky, vonkajšieho ovládania a poloosí) je 35 kg.</p> <p>c) Diferenciál Diferenciál s mechanickým obmedzovaním prešmykovania s lamelami musí byť homologovaný ; len takýto diferenciál sa môže použiť.. To znamená, že žiadny iný diferenciál nemôže byť dodaný. Diferenciál s mechanickým obmedzovaním prešmykovania je taký ty, ktorý funguje výhradne mechanicky tzn. bez pomoci hydraulického, alebo elektrického systému Viskózna spojka nie je považovaná za mechanický systém.</p> <p>Akýkoľvek diferenciál s elektronickým riadením je zakázaný. Počet a typ lamiel je ľubovoľný</p>	<p>Transmission</p> <p>Clutch The minimum diameter of the clutch is 184 mm. The friction disc(s) must not be made from carbon.</p> <p>Gearbox Only one gearbox may be homologated, with a maximum of 6 forward gears and 1 reverse gear. A single set of 6 ratios and 1 reverse gear as well as 3 axle ratios may be homologated. The gearbox housing must imperatively be made from aluminium alloy. The minimum weight of the complete gearbox (complete gearbox with mounted differential, without supports, without oil, without clutch, without external control, without half-shafts) is 35 kg.</p> <p>Differential A mechanical type limited slip differential with plates must be homologated ; it is the only differential that may be used.</p> <p>This means that no other differential may be added. "Mechanical limited slip differential" means any system which works purely mechanically, i.e. without the help of a hydraulic or electric system. A viscous clutch is not considered to be a mechanical system. Any differential with electronic management is prohibited. The number and the type of the plates are free.</p>

6.3.3 Zavesenie**a) Stabilizátor**

Stabilizátory nastaviteľné z priestoru pre posádku sú zakázané.

b) Tlmiče

Musí byť homologovaný a len jeden tlmič na koleso je povolený.

Použitý systém chladenia vodou musí byť homologovaný..

6.3.4 Kolesá a pneumatiky

Ráfiky musia byť bezpodmienečne z hliníkových zliatin.

- a)** Pri rallye na štrku môžu byť použité len ráfiky 6" x 15".
Pri rallye na asfalte môžu byť použité len ráfiky 7" x 17".

- b)** Použitie akéhokoľvek zariadenia umožňujúceho udržať výkon pneumatiky s vnútorným tlakom rovným, alebo menším ako atmosférickým je zakázané. Vnútro pneumatiky (priestor medzi ráfikom a vnútornou časťou pneumatiky) musí byť vyplnený len vzduchom..

6.3.5 Brzdový systém

Môžu byť použité brzdové kotúče a strmene uvedené v zozname pre Super 1600 Kit Variant.

Maximálny priemer predných kotúčov je 300 mm pre rallye na štrku a 355 mm pre rallye na asfalte.

Maximálny priemer zadných kotúčov je 300mm.

6.3.6 Žiadny elektronický systém podporujúci jazdu (ani snímače) nie je povolený (ABS/ASR/EPS...).

Len systém prerušenia zapalovania a / alebo vstrekovania pri preradení rýchlosti je povolený. Tento systém musí byť homologovaný.

Len snímače zapisovania údajov homologované v rozšírení VK-S1600 sú povolené. Všetky ostatné snímače sú zakázané

Napriek tomu je povolený jeden dodatočný snímač rýchlosti na hnacom kolese. V každom prípade, informácia z tohto snímača nesmie vstupovať do elektronickej jednotky, alebo do jednotky zapisovania údajov.

Prenos údajov rádiom a / alebo telemetriou je zakázaný

6.3.7 Karoséria

- a)** Žiadne nové vozidlo homologované vo «Variante Kit Super 1600» (VK S1600) nesmie byť širšie ako 1805 mm.

- b)** Zadné aerodynamické zariadenie (okrem držiakov) musí byť zo sklenených vlákien.

6.3.8 Materiál

- a)** Použitie titánových a horčíkových zliatin je zakázané, okrem dielov sériovo namontovaných na vozidle, z ktorého vzišlo rozšírenie VK-S1600.

Titánové zlisatiny sa môžu použiť len na rýchlospojky brzdového okruhu .

- b)** Použitie karbónových, alebo aramidových vlákien je povolené len pod podmienkou, že bude použitá len jedna vrstva vlákien je umiestnená na viditeľnej strane dielu. Materiál sedadla jazdca a spolujazdca je ľubovoľný, ale hmotnosť holej kostry sedadla (sedadlo bez peny a držiakov) musí byť väčšia ako 4 kg.

6.3.9 Bezpečnostná klietka

Bezpečnostná klietka musí byť homologovaná FIA.

Môže byť použitá len jedna bezpečnostná klietka s Variantom Kit Super 1600 (VK-S1600) ; musí byť uvedená v dodatočných informáciách rozšírenia VK-S1600.

Požiadavky na rúrky hlavného oblúka : minimálny priemer 45mm, minimálna hrúbka 2.5 mm a minimálna pevnosť v ťahu 50 daN/mm².

Suspension**Anti-roll bar**

Anti-roll bars that are adjustable from the cockpit are prohibited.

Shock absorbers

Must be homologated; only one shock absorber is permitted per wheel.

The water cooling system used must be the one homologated.

Wheels and tyres

The rims must imperatively be made from cast aluminium.

For rallies on gravel, only 6" x 15" rims may be used.

For rallies on asphalt, only 7" x 17" rims may be used.

The use of any device for maintaining the full performance of the tyre with an internal pressure equal to or less than the atmospheric pressure is forbidden. The interior of the tyre (space between the rim and the internal part of the tyre) must be filled only with air.

Braking system

The only brake discs and calipers that may be used are those listed for the Super 1600 Kit Variant.

The maximum diameter of the discs for the front brakes is 300 mm for rallies on gravel and 355 mm for rallies on asphalt.

The maximum diameter of the discs for the rear brakes is 300 mm.

Any electronic driving aid system (as well as its sensors) is prohibited (ABS / ASR / EPS ...).

Only an engine ignition and/or injection cut-off system for changing gear is allowed. This system must be homologated.

The only sensors authorised for data acquisition are those homologated in the VK-S1600 extension form. Any other sensor is forbidden.

However, the addition of only one speed sensor on a driven wheel is permitted. In all cases, information provided by this sensor must not enter the electronic unit or the data acquisition unit.

The transmission of data by radio and/or telemetry is forbidden.

Bodywork

No new car homologated as a "Super 1600 Kit Variant" (VK-S1600) may have a width of more than 1805 mm.

The rear aerodynamic device (with the exception of the supports) must be made from fibreglass.

Material

The use of titanium alloy and magnesium alloy is prohibited except for parts mounted on the (series) model from which the VK-S1600 extension is derived.

Titanium alloy is permitted only for quick release connectors of the braking circuit.

The use of carbon or aramid fibre is authorised on condition that only one layer of fabric is used and is affixed to the visible face of the part.

The material of the driver's and co-driver's seats is free but the weight of the bare shell (seat without foam or supports) must be more than 4 kg.

Safety cage

The safety cage must be homologated by the FIA.

Only one safety cage may be used with the Super 1600 Kit Variant (VK-S1600); it must be mentioned in the supplementary information of the VK-S1600 extension.

Specifications of the tube for the main rollbar : minimum diameter 45 mm, minimum thickness 2.5 mm, and minimum tensile strength 50 daN/mm².

6.3.10 Palivové nádrže

Palivové nádrže musia pochádzať od výrobcu schváleného FIA (minimálna špecifikácia FIA FT3 1999).
Tieto palivové nádrže musia byť homologované.

Fuel tanks

The fuel tanks must come from an FIA-approved manufacturer (FIA FT3 1999 minimum specifications).
These fuel tanks must be homologated.

ÚPRAVY PLATNÉ OD 01.01.2016

MODIFICATIONS APPLICABLE ON 01.01. 2016

.....

.....

ÚPRAVY PLATNÉ OD 01.01.2017

MODIFICATIONS APPLICABLE ON 01.01.2017

.....

.....